



# TECHNICAL INFORMATION

## OCTANORM CLEANROOM SYSTEMS

### ELECTRONIC AND SEMICONDUCTOR

#### Ceiling systems light

Ceiling system ED1 without lighting

Ceiling system ED1 with lighting



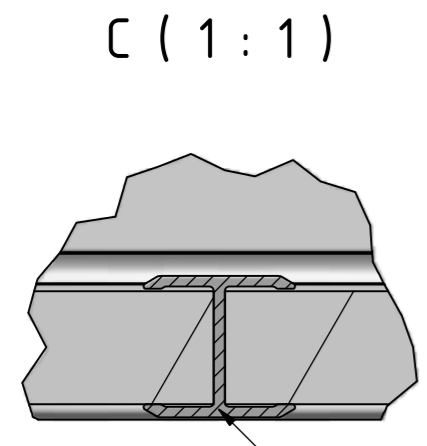
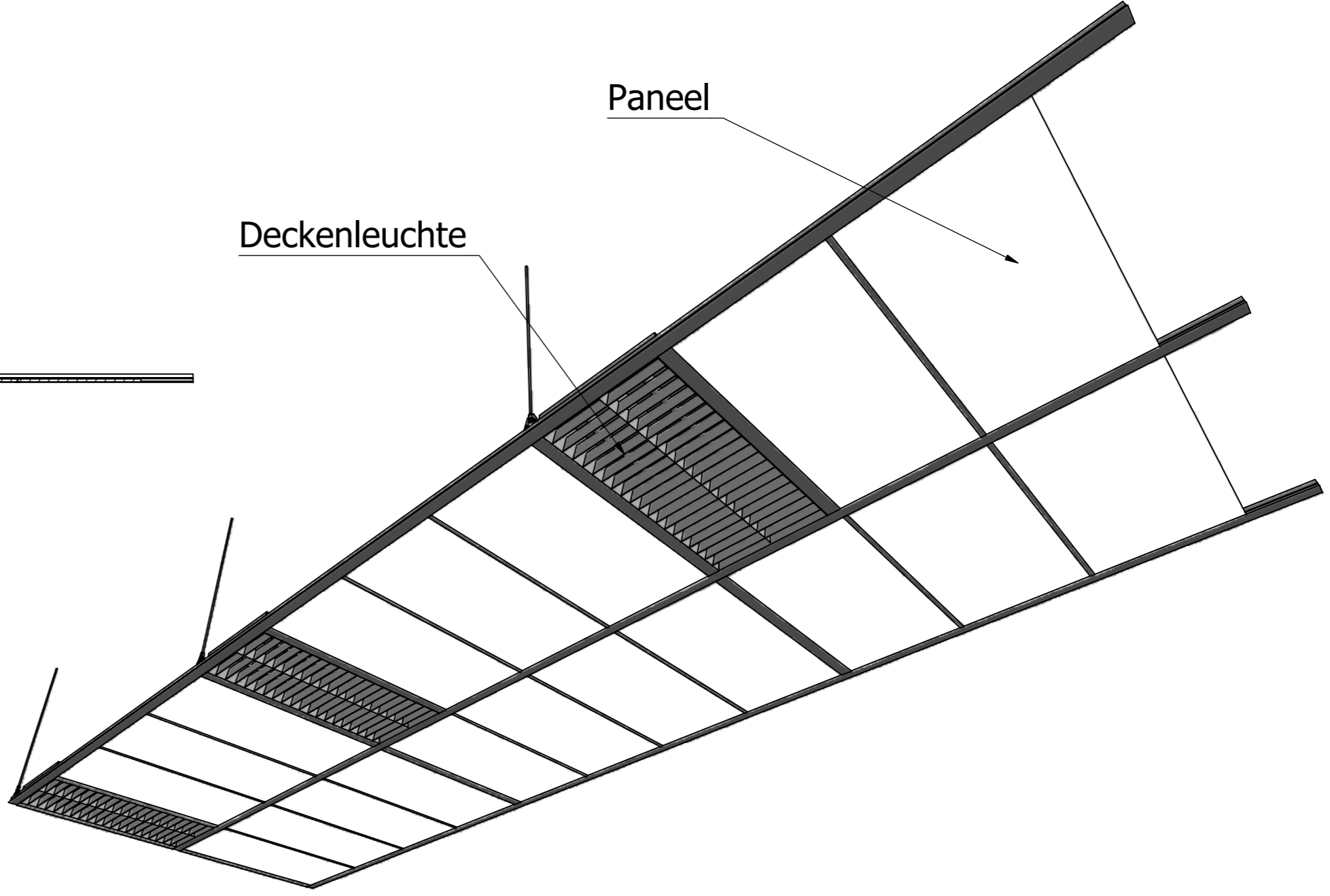
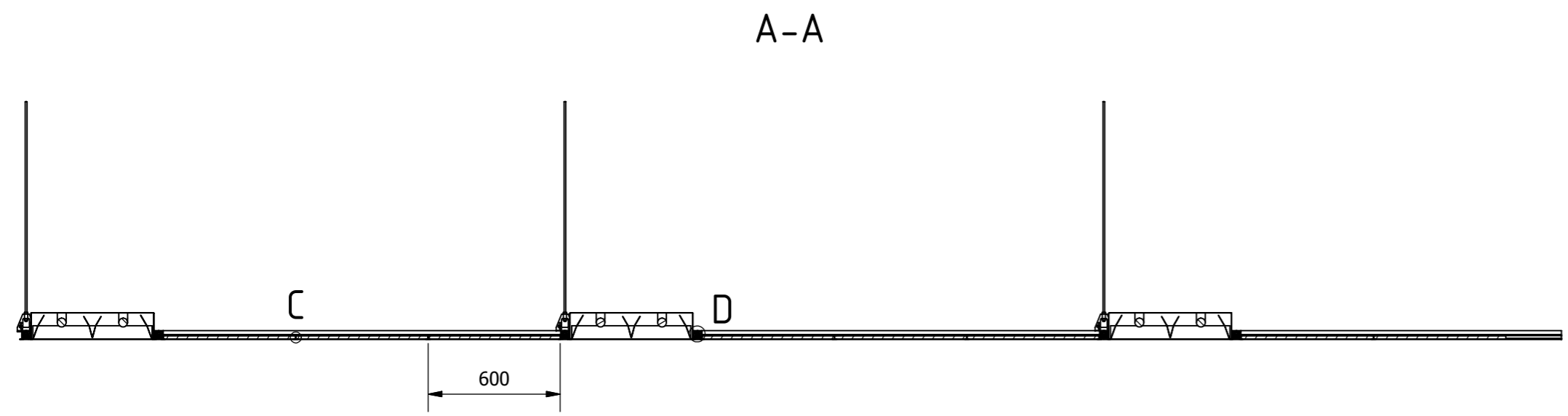
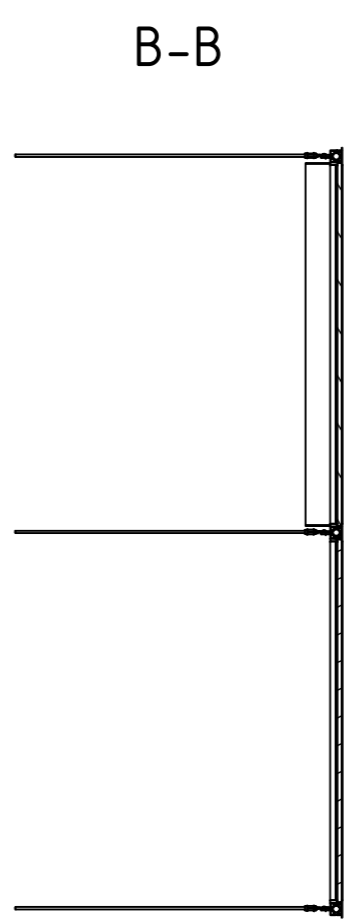
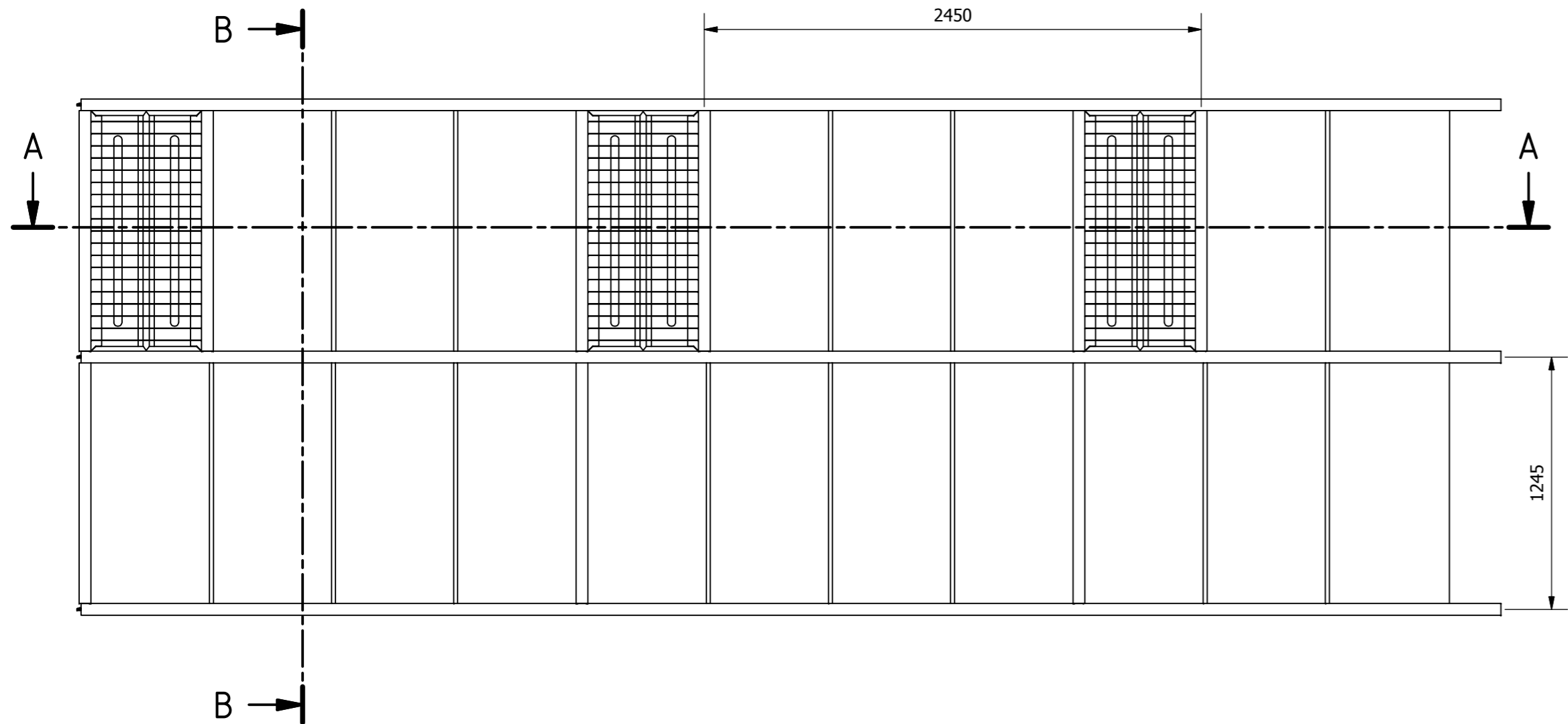


# TECHNICAL DATA SHEET

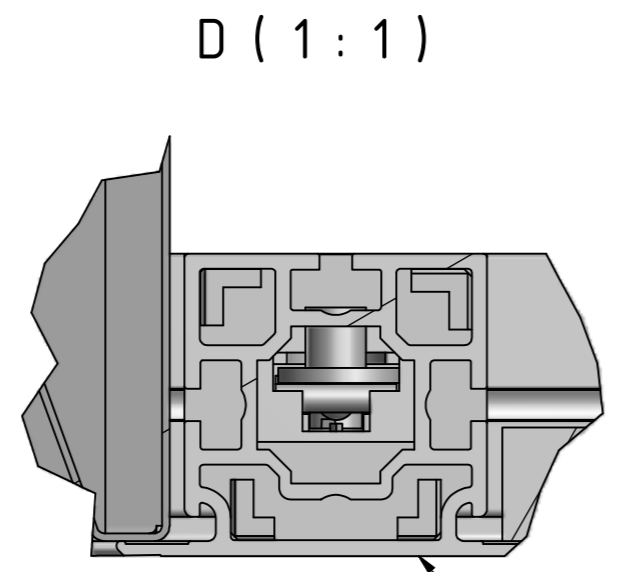
## CEILING SYSTEM ED1

Ceiling system with inlaid ceiling panels  
Grid ceiling


Surface of beam / extrusion	Aluminium, anodized, E6 EV1
Lighting	No
Panels	15 mm, Mineral fiberboard
Filling	None
Walkable	No
Standard grid	600 × 1200 mm
Standard color	RAL 9010

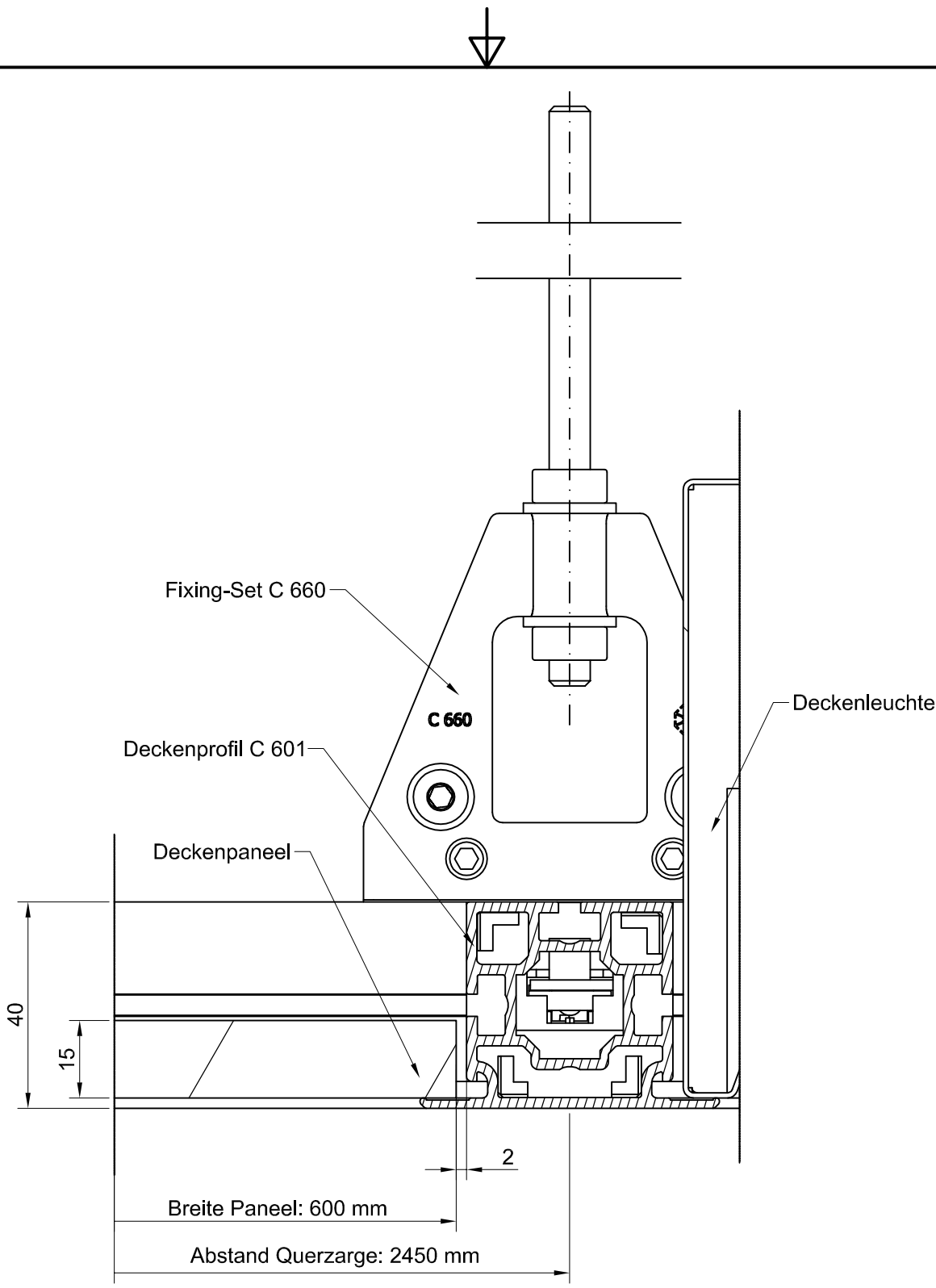



H-Profil C 630

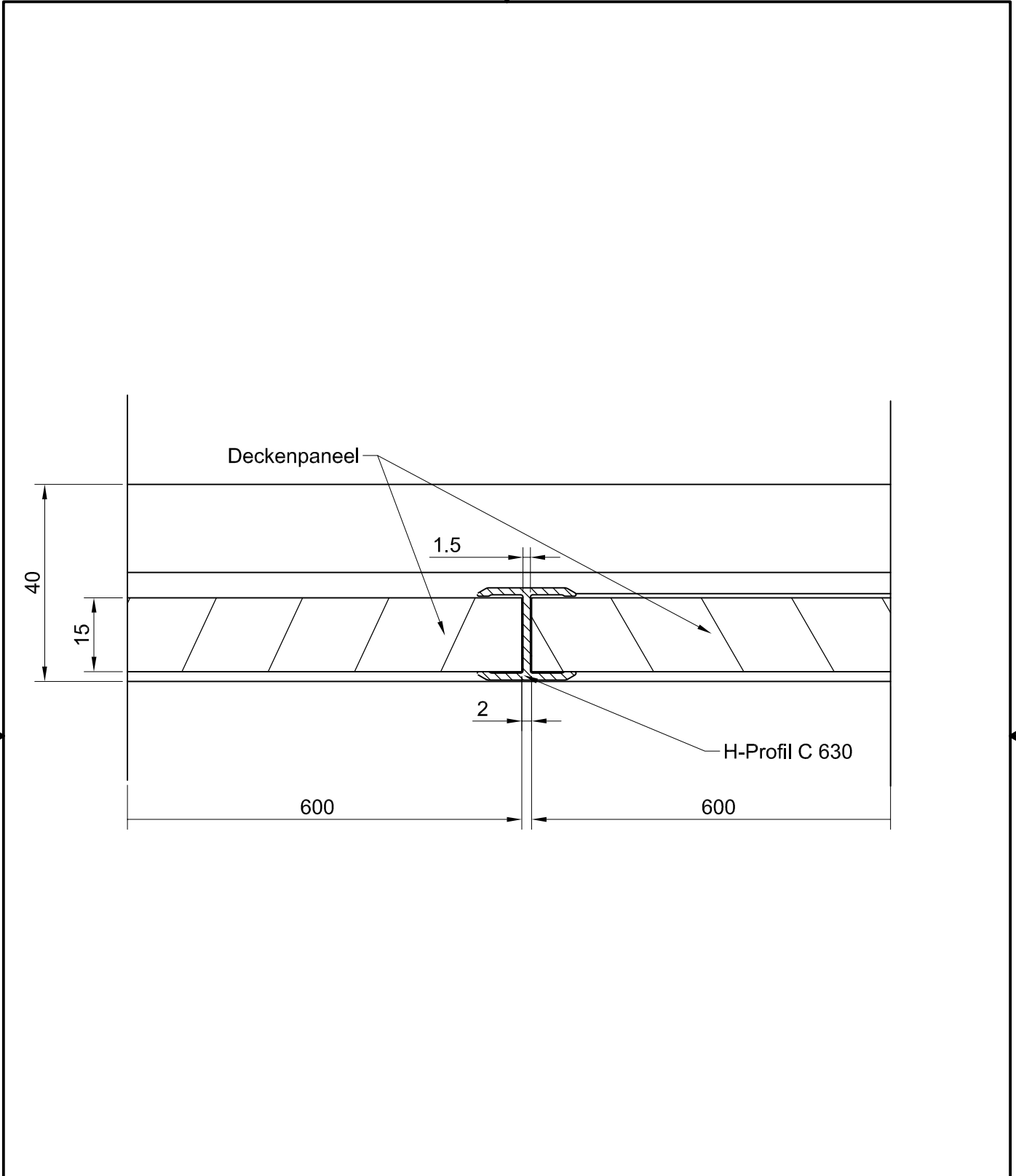



Deckenprofil C 601

Alle Toleranzen nach DIN ISO 2768 mittel		Material		
<small>This drawing is our literary property and may neither be copied nor to be exposed approachable to third persons without our agreement; according to German Copyright Act</small>				
Gezeichnet	23.09.2014	Datum	jk	Bezeichnung: Rasterdecke mit Einbauleuchte Ceilingsystem with lighting
Kontrolliert		Norm		
Projekt Nr.				
Status	Änderungen	Datum	Name	Z-Nr: VRS_ED1_50_0000
				1
				A2

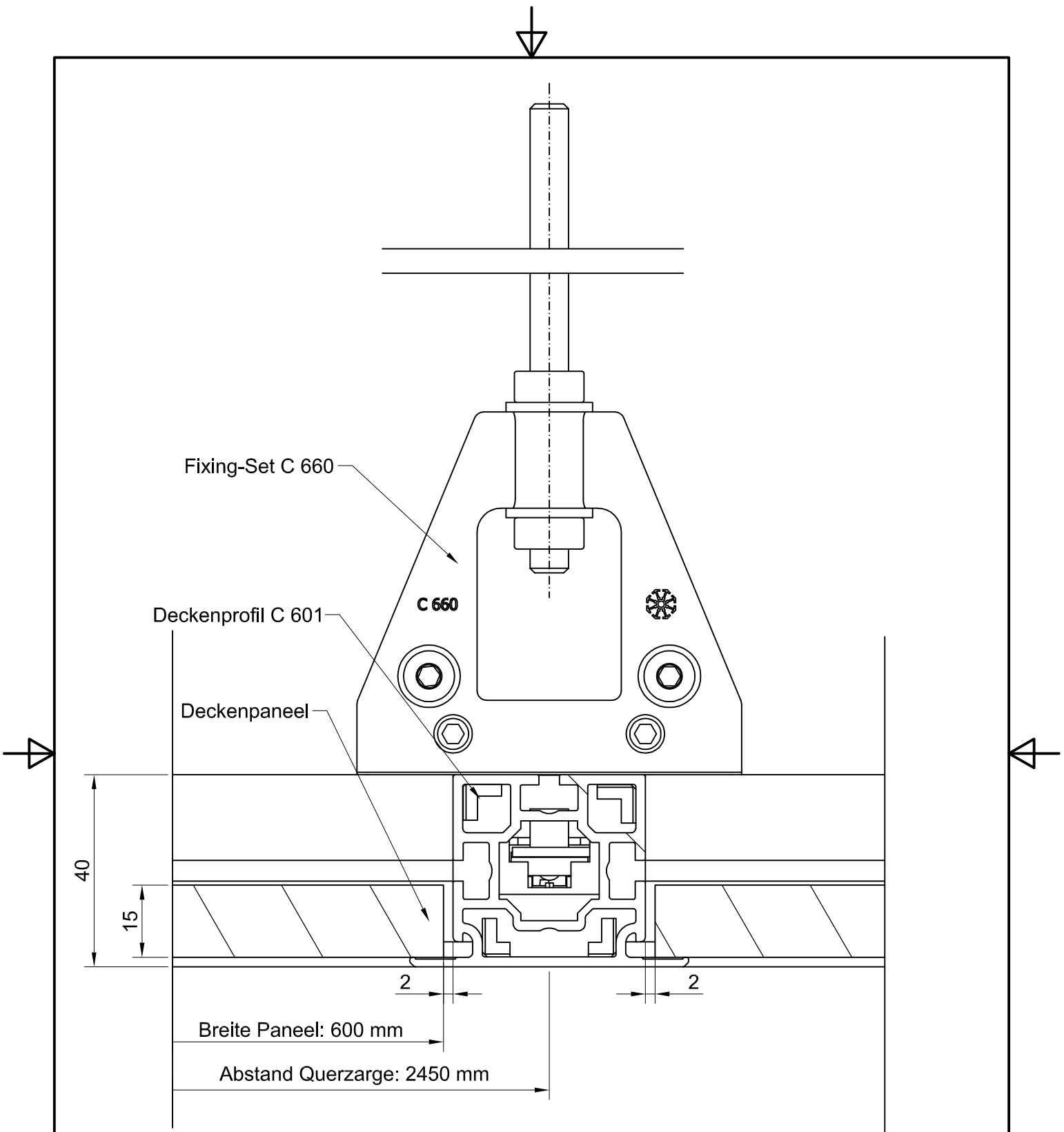



Alle Toleranzen nach DIN ISO 2768 mittel			Material		
This drawing is our literary property and may neither copied nor to be exposed approachable to third persons without our agreement; according to German Copyright Act					
			Datum	Name	Description / Bezeichnung: Einbau Deckenleuchte Installation lighting
			Gezeichnet	24.09.2014 jk	
			Kontrolliert		
			Norm		
			Projekt Nr.		Z-Nr: VRS_ED1_52_0001
			PRO_XXX		
Status	Änderungen	Datum	Name		<div style="text-align: right; font-size: 24pt; font-weight: bold;">1</div> <div style="text-align: right;">A4</div>



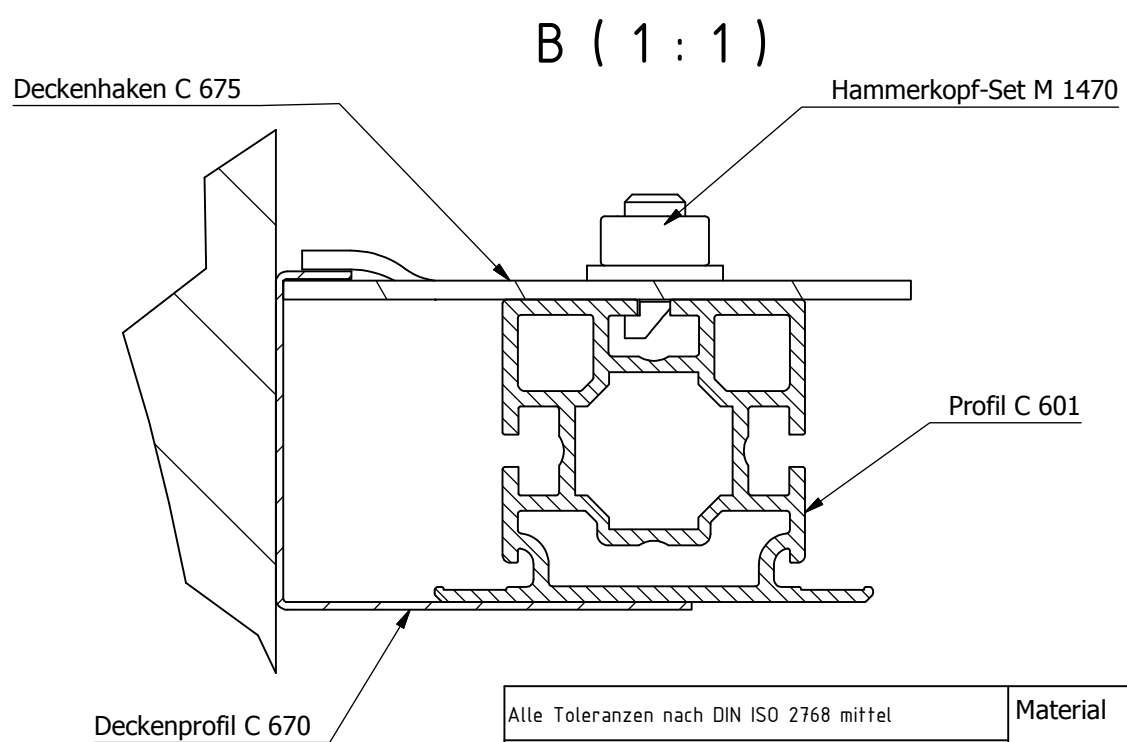
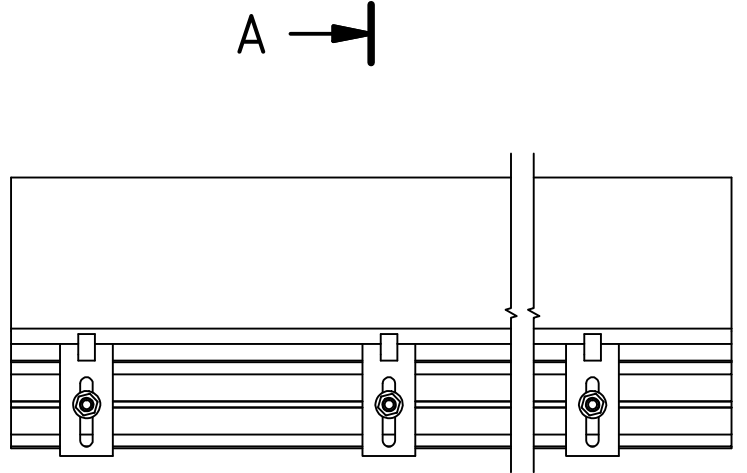
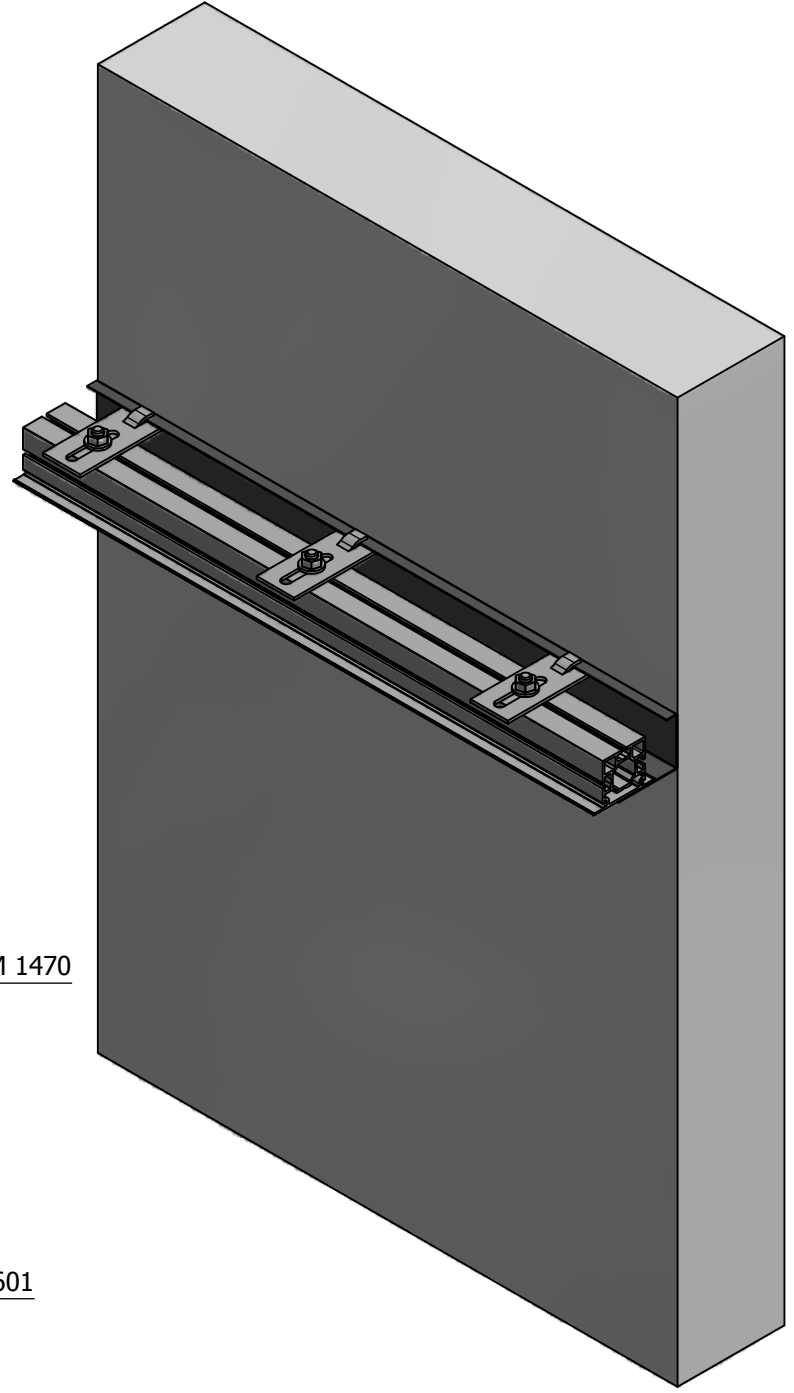
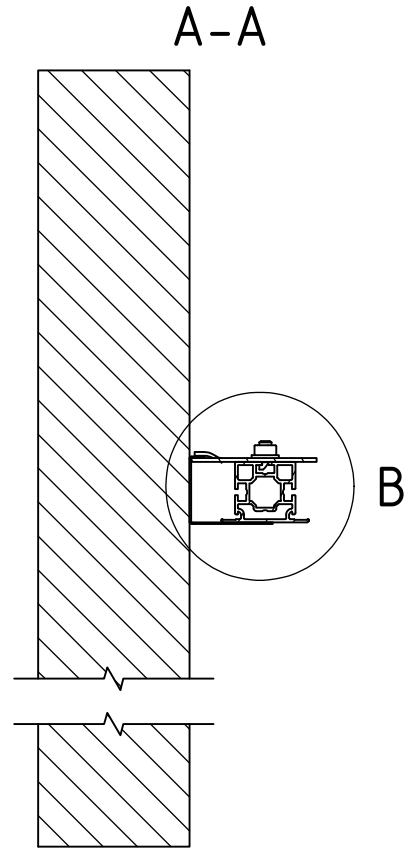
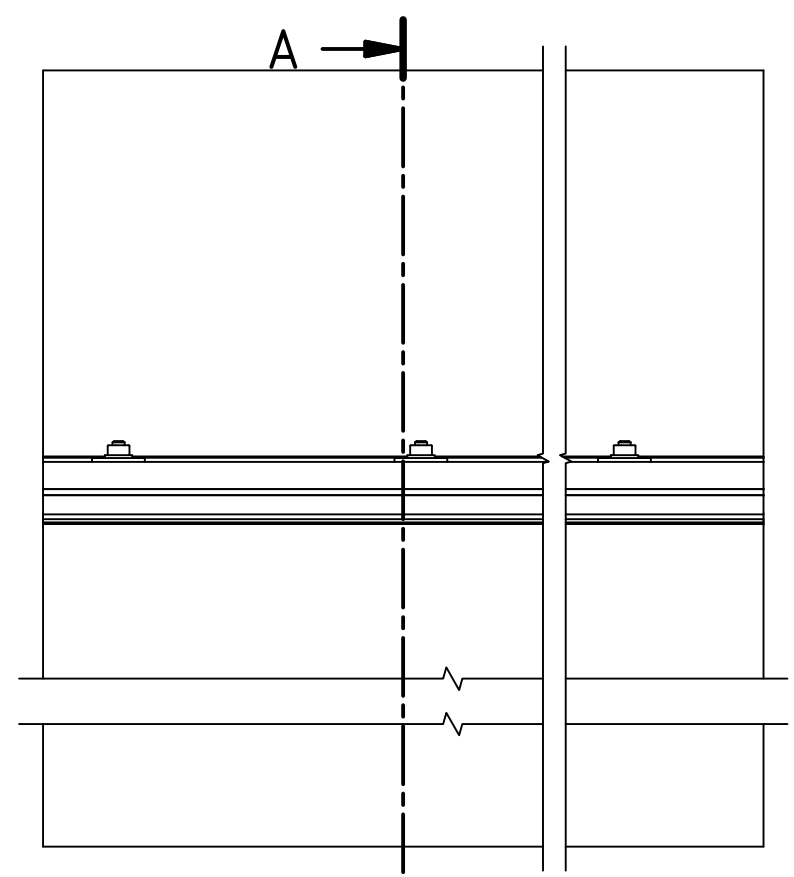
Alle Toleranzen nach DIN ISO 2768 mittel			Material		
<small>This drawing is our literary property and may neither copied nor to be exposed approachable to third persons without our agreement; according to German Copyright Act</small>					
			Datum	Name	Description / Bezeichnung: Verbindungsstück Deckenpaneel Connection ceiling panel
			Gezeichnet	24.09.2014 jk	
			Kontrolliert		
			Norm		
			Projekt Nr.		Z-Nr: VRS_ED1_52_0004
			PRO_XXX		
Status	Änderungen	Datum	Name		<div style="text-align: right; font-size: 24pt; font-weight: bold;">1</div> <div style="text-align: right;">A4</div>





Alle Toleranzen nach DIN ISO 2768 mittel				Material			
This drawing is our literary property and may neither copied nor to be exposed approachable to third persons without our agreement; according to German Copyright Act							
				Datum	Name	Description / Bezeichnung: Einbau Deckenpaneel Installation ceiling panel	
				Gezeichnet	24.09.2014		jk
				Kontrolliert			
				Norm			
				Projekt Nr.		Z-Nr: VRS_ED1_52_0003	
				PRO_XXX			
Status	Änderungen	Datum	Name			<div style="border: 1px solid black; padding: 2px; display: inline-block;">1</div> A4	





Alle Toleranzen nach DIN ISO 2768 mittel				Material	
This drawing is our literary property and may neither copied nor to be exposed approachable to third persons without our agreement; according to German Copyright Act					
				Datum	Name
				Gezeichnet 04.07.2014	jk
				Kontrolliert	
				Norm	
				Projekt Nr.	
Status	Änderungen	Datum	Name		

**OCTANORM** 

Bezeichnung:  
Deckenhalter C 670

Z-Nr:VRS\_ED1\_10\_0004

1  
A3



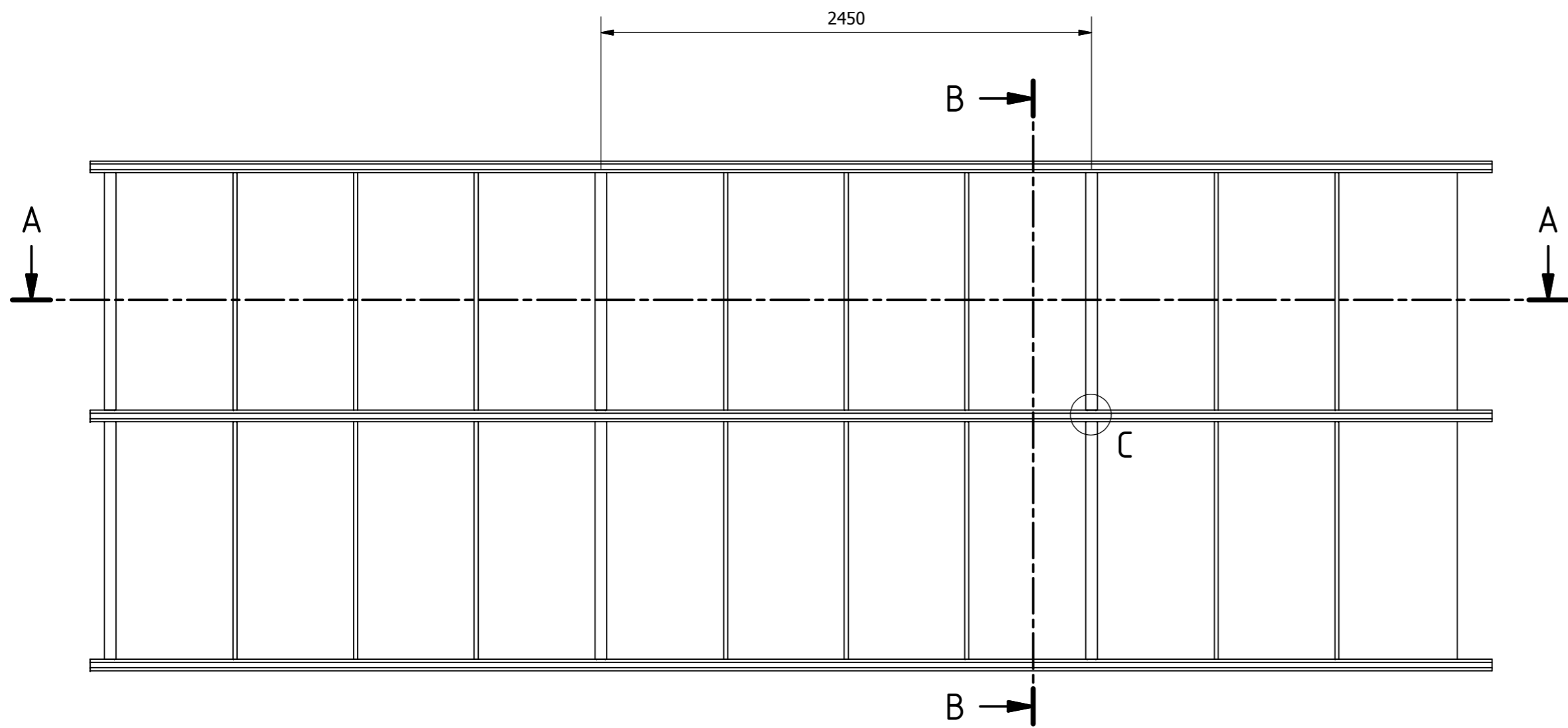
# TECNICAL DATA SHEET

## CEILING SYSTEM ED1

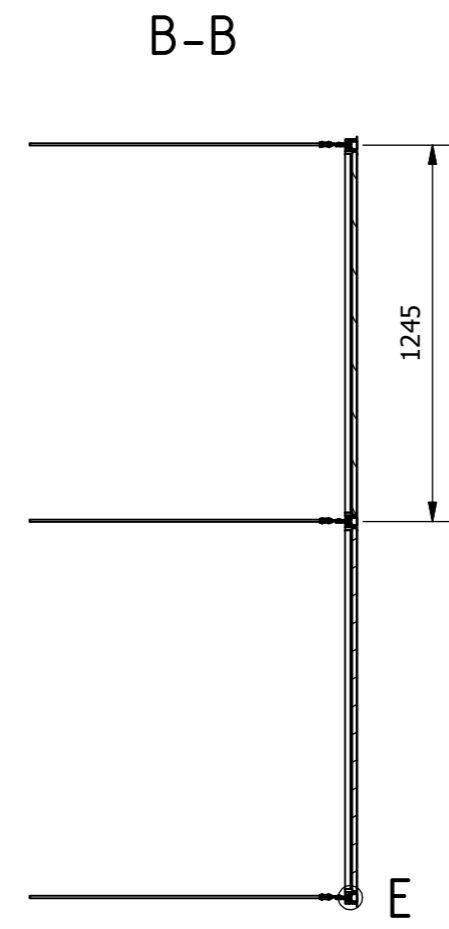
Ceiling system with inlaid ceiling panels  
Grid ceiling

Surface of beam / extrusion	Aluminium, anodized, E6 EV1
Lighting	Yes
Panels	15 mm, Mineral fiberboard
Filling	None
Walkable	No
Standard grid	600 × 1200 mm
Standard color	RAL 9010



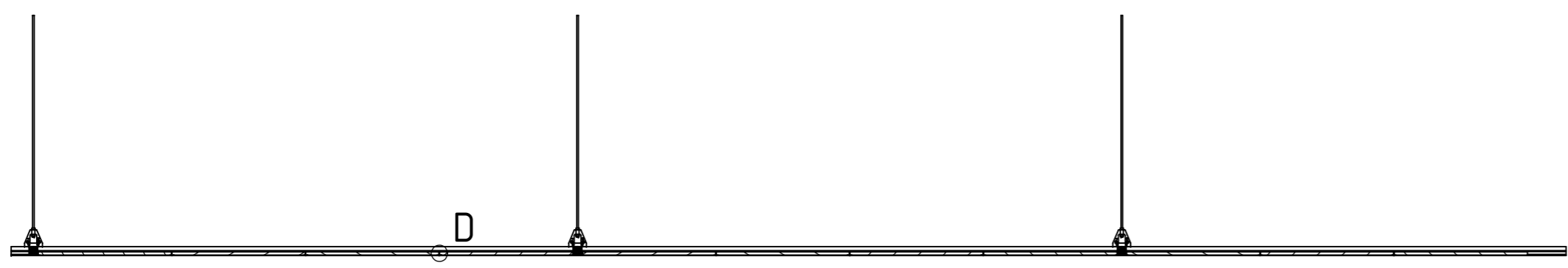
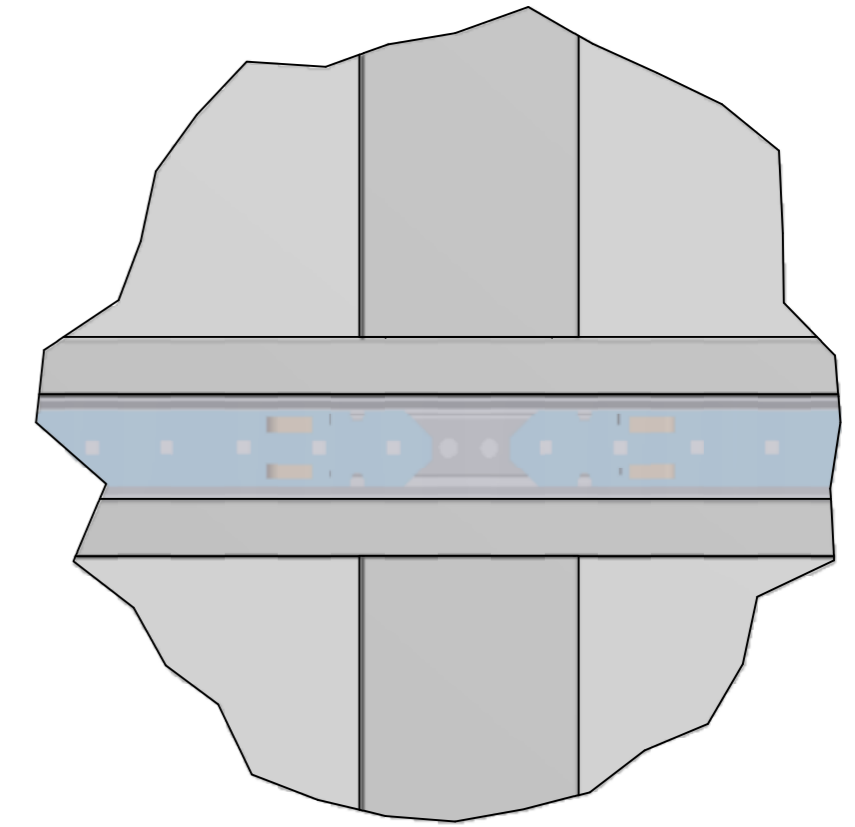


A-A

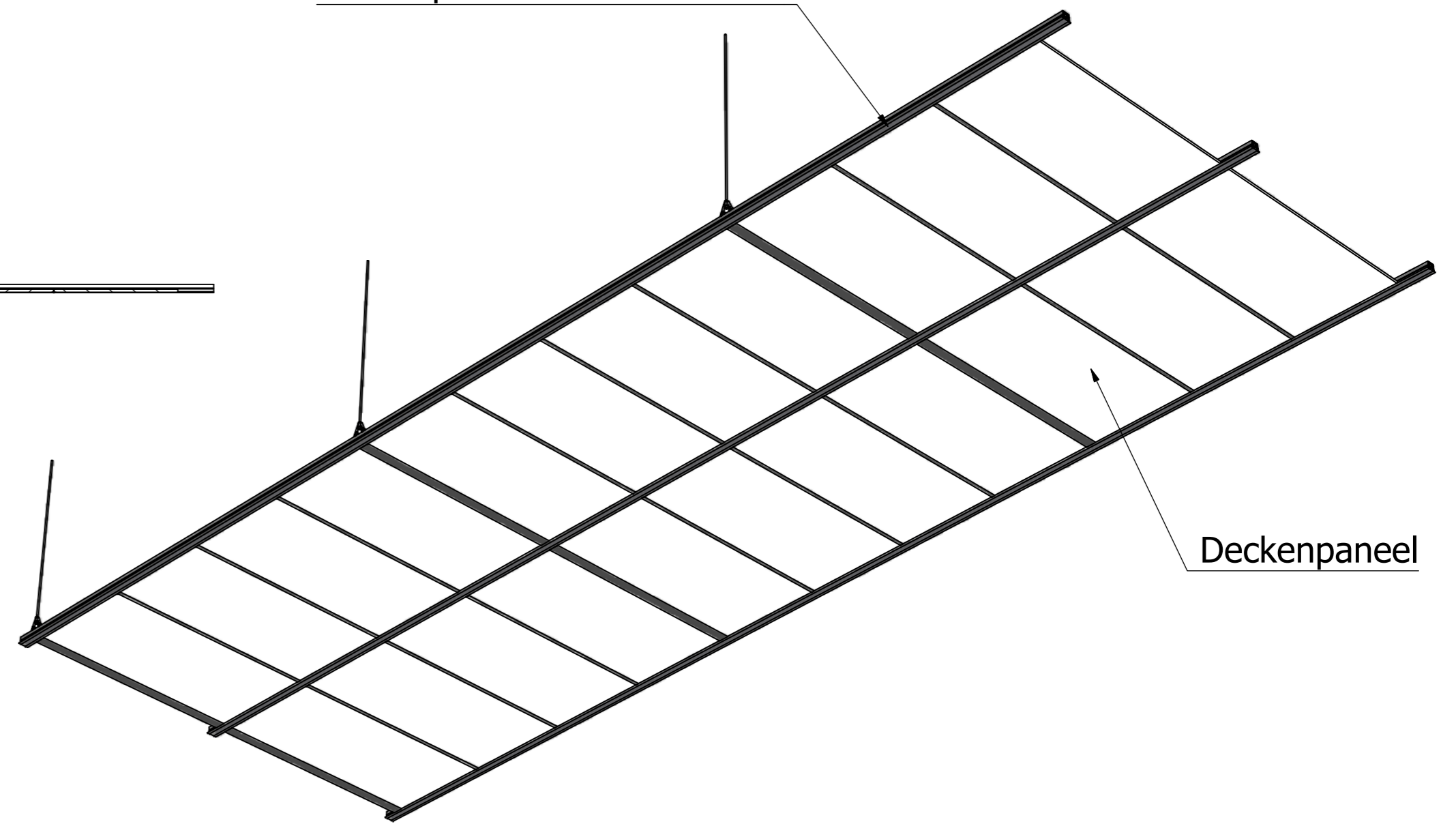


Deckenprofil mit LED-Element

C (1:2)

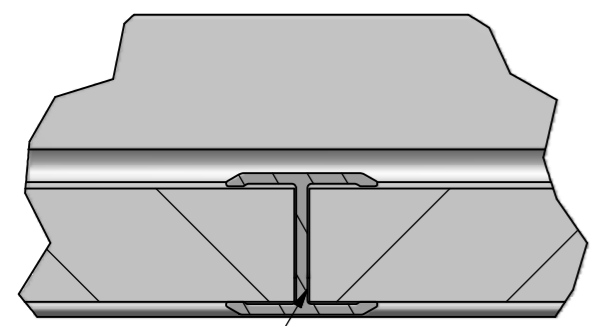


D



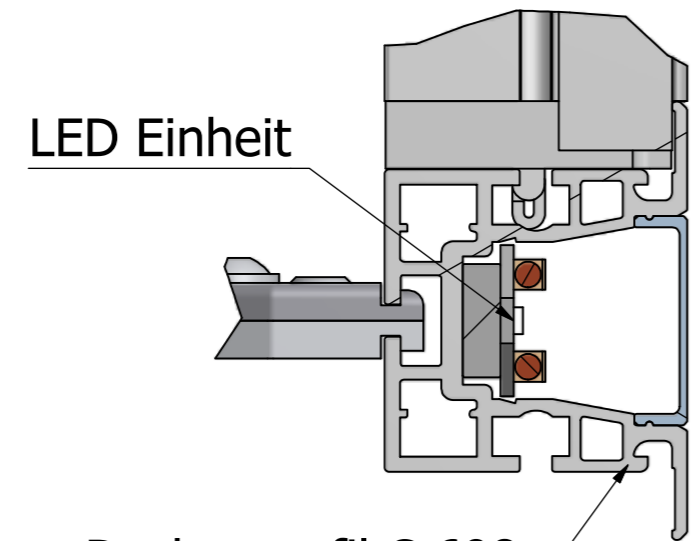
Deckenpaneel

D (1:1)




H-Profil C 630

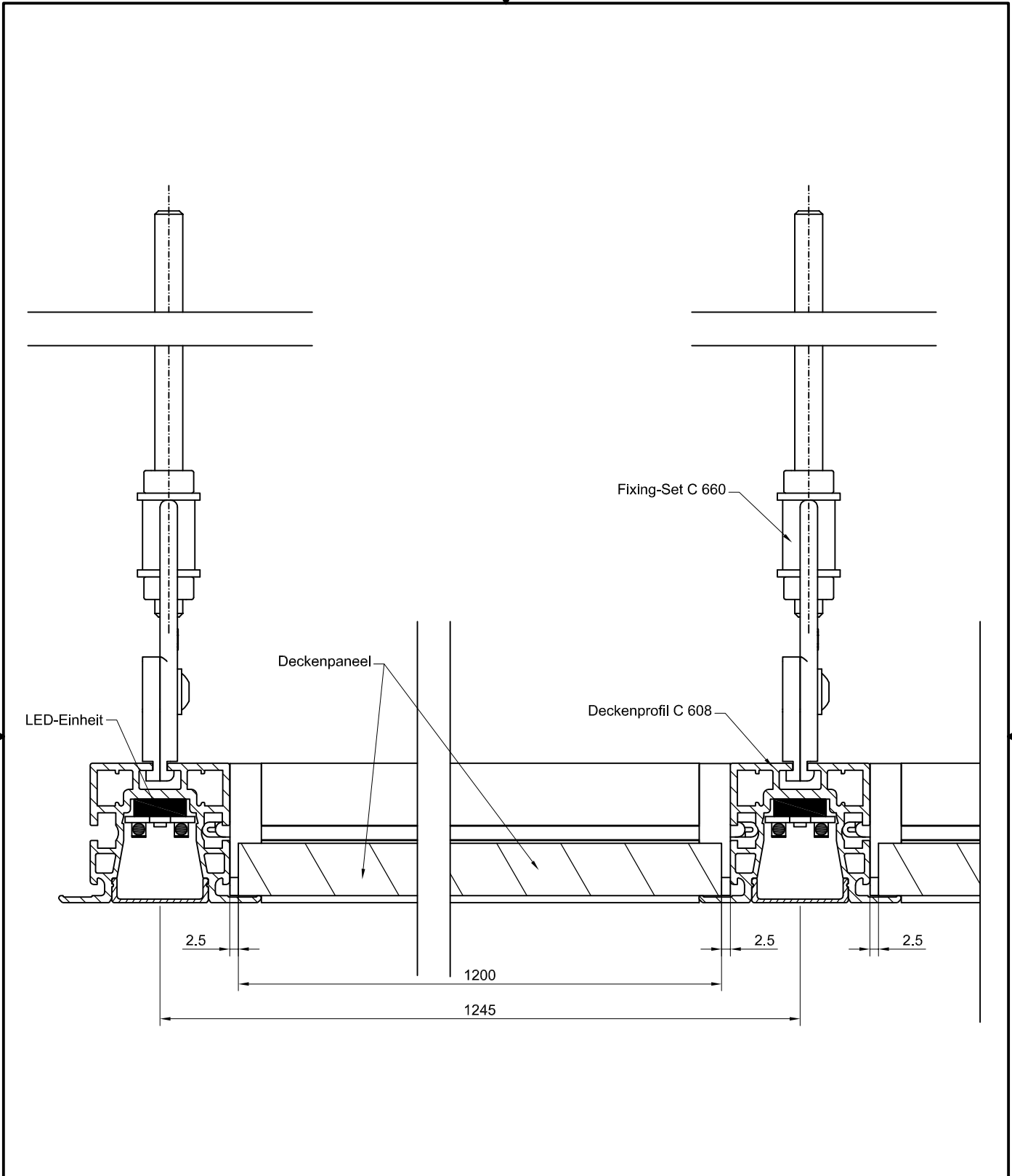
E (1:1)




LED Einheit

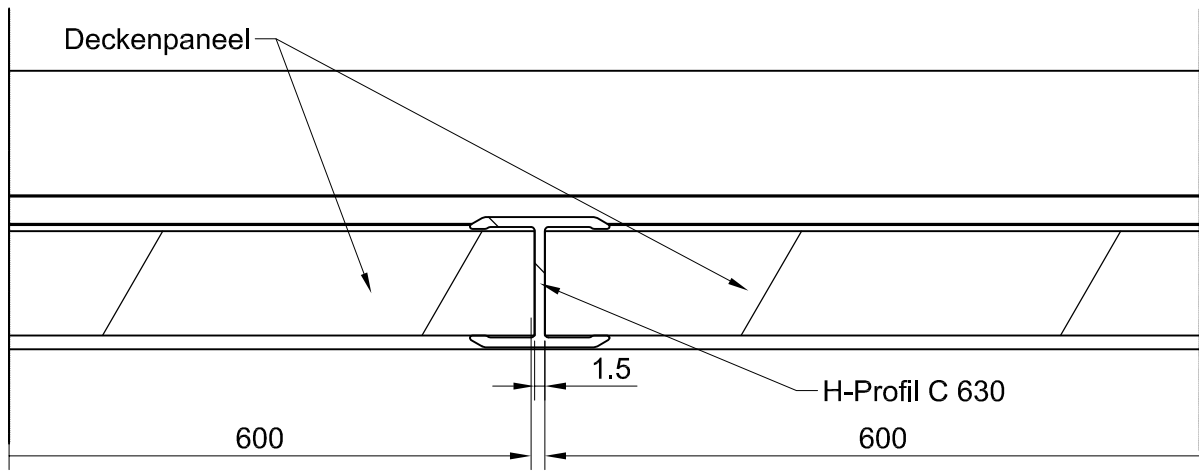
Deckenprofil C 608


Alle Toleranzen nach DIN ISO 2768 mittel		Material		
<small>This drawing is our literary property and may neither be copied nor to be exposed approachable to third persons without our agreement; according to German Copyright Act</small>				
Gezeichnet	24.09.2014	Datum	jk	Bezeichnung: Rasterdecke mit integrierter LED Beleuchtung Ceiling system with integrated LED lighting
Kontrolliert		Norm		
Projekt Nr.	PRO	Z-Nr:VRS_ED1_50_0001		
Status	Änderungen	Datum	Name	1 A2



Alle Toleranzen nach DIN ISO 2768 mittel				Material		
This drawing is our literary property and may neither copied nor to be exposed approachable to third persons without our agreement; according to German Copyright Act						
				Datum	Name	Description / Bezeichnung: Einbau Deckenpaneel Installation ceiling panel
				Gezeichnet	24.09.2014 jk	
				Kontrolliert		
				Norm		
				Projekt Nr.		Z-Nr: VRS_ED1_51_0002
				PRO_XXX		
Status	Änderungen	Datum	Name			1 A4

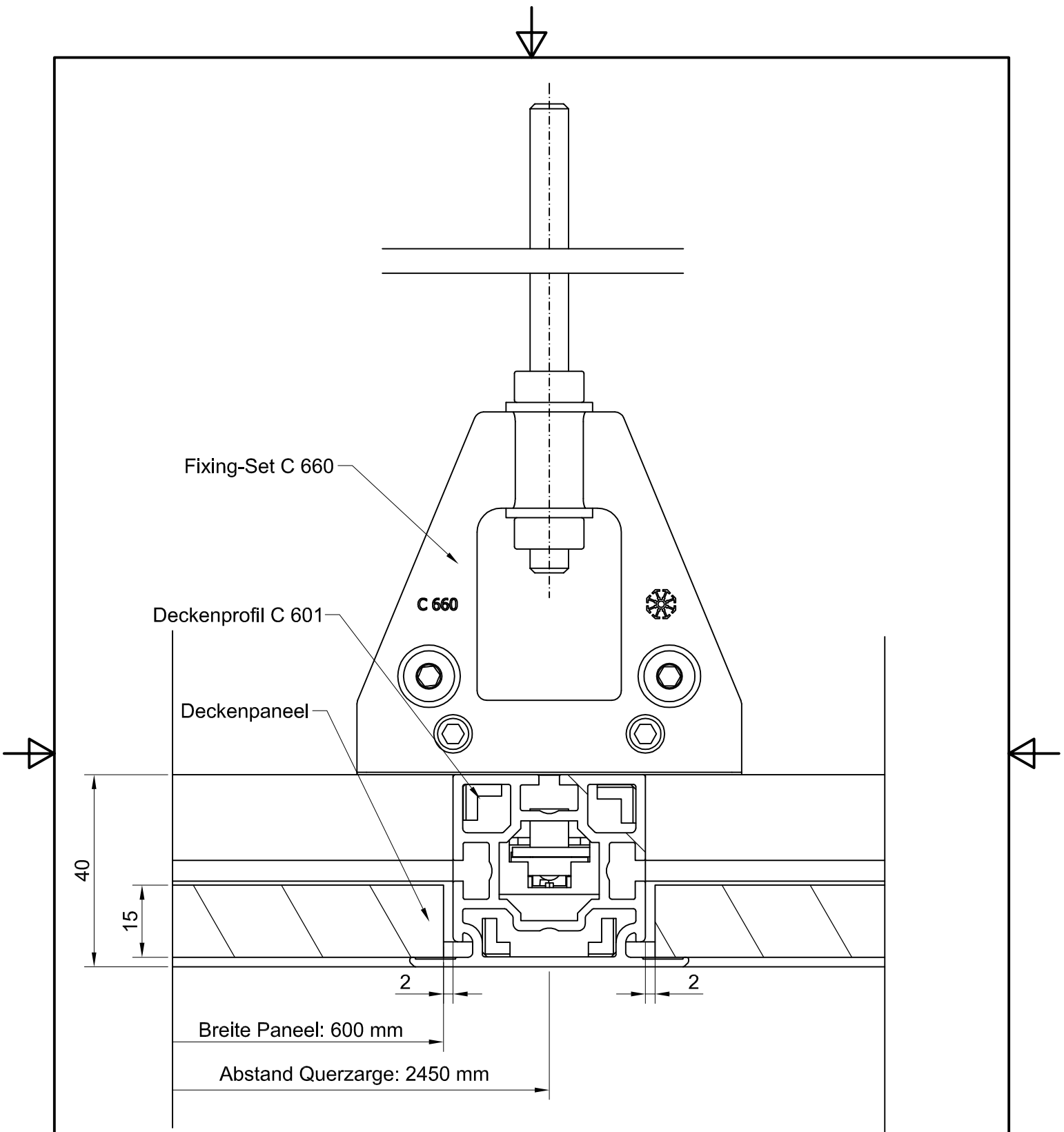





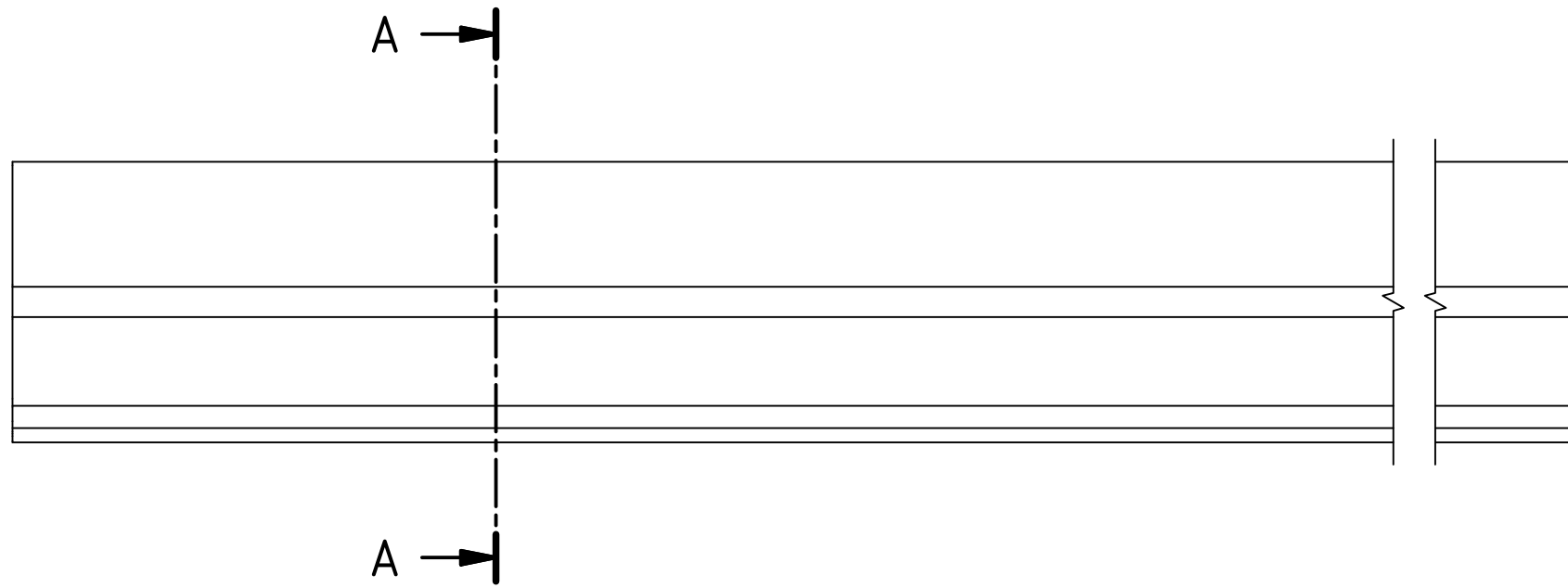
Alle Toleranzen nach DIN ISO 2768 mittel				Material		
<small>This drawing is our literary property and may neither copied nor to be exposed approachable to third persons without our agreement; according to German Copyright Act</small>						
				Datum	Name	Description / Bezeichnung: Verbindungsstück Deckenpaneel Connection ceiling panel
				Gezeichnet	24.09.2014 jk	
				Kontrolliert		
				Norm		
				Projekt Nr.		Z-Nr: VRS_ED1_52_0002
				PRO_XXX		
Status	Änderungen	Datum	Name			1 A4



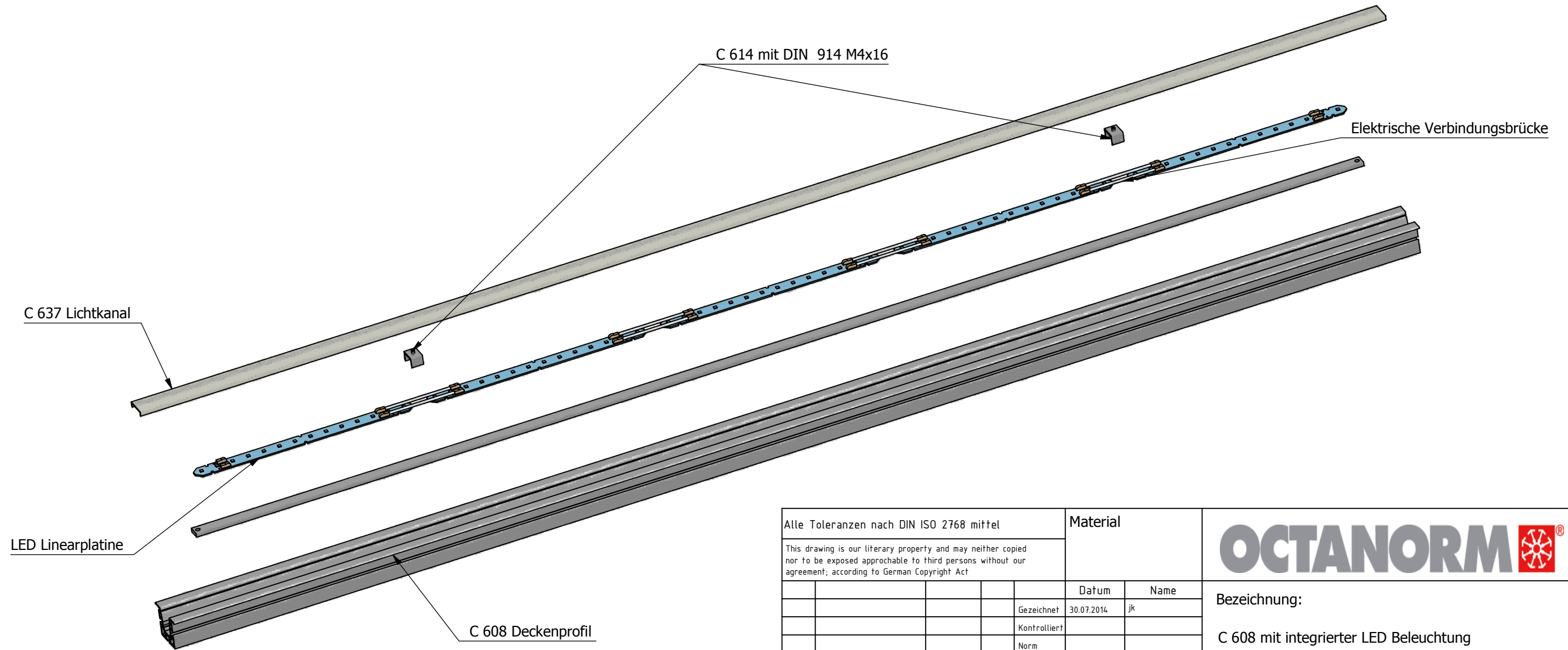
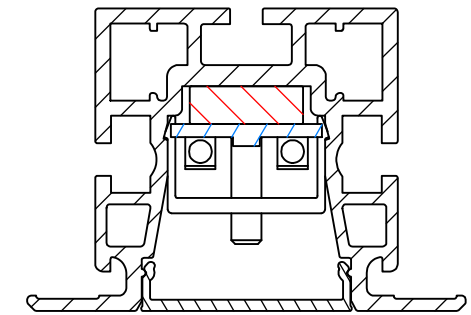




Alle Toleranzen nach DIN ISO 2768 mittel				Material			
This drawing is our literary property and may neither copied nor to be exposed approachable to third persons without our agreement; according to German Copyright Act							
				Datum	Name	Description / Bezeichnung: Einbau Deckenpaneel Installation ceiling panel	
				Gezeichnet	24.09.2014		jk
				Kontrolliert			
				Norm			
				Projekt Nr.		Z-Nr: VRS_ED1_52_0003	
				PRO_XXX			
Status	Änderungen	Datum	Name			<div style="border: 1px solid black; padding: 2px; display: inline-block;">1</div> A4	



A-A ( 1 : 1 )



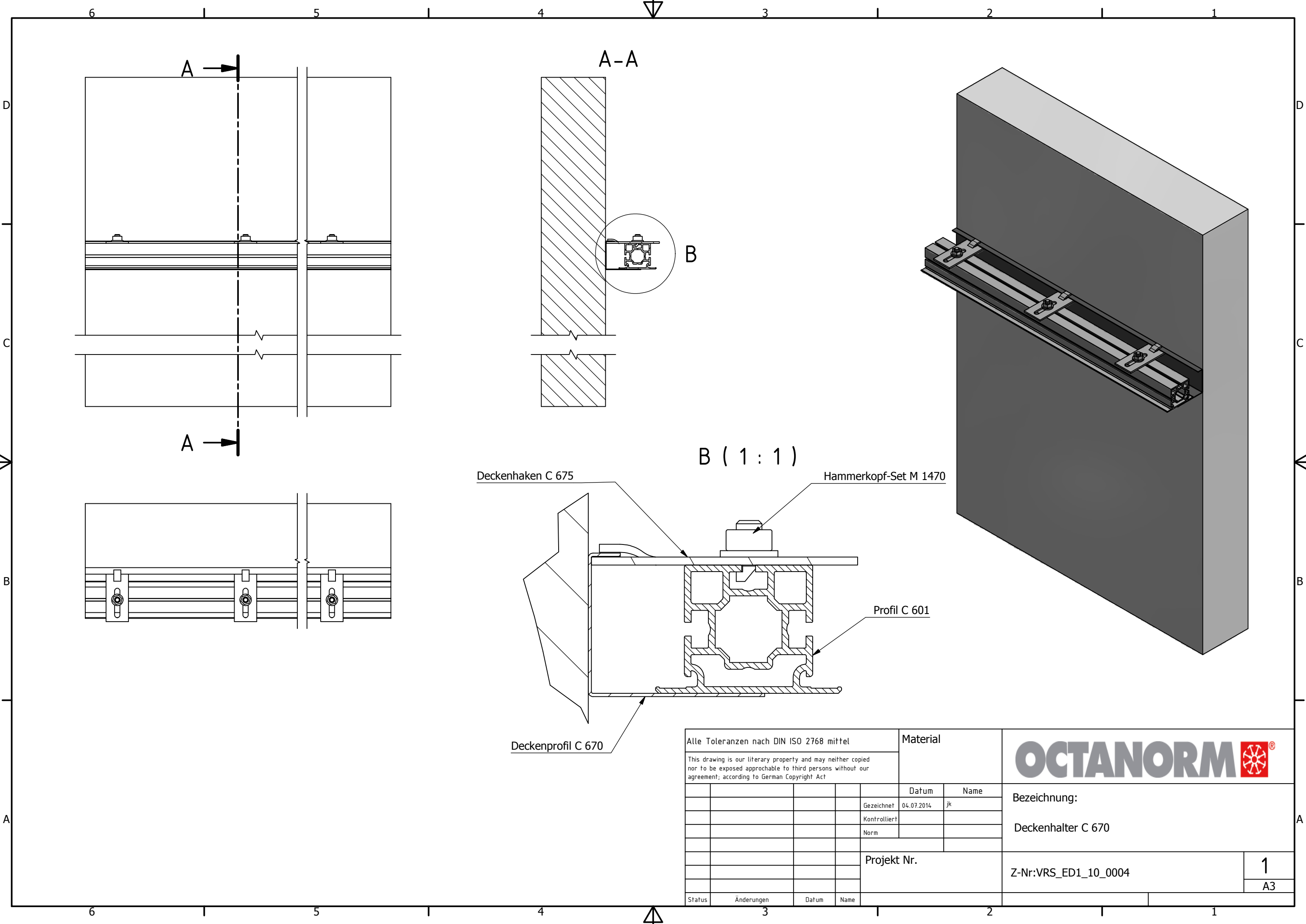
Alle Toleranzen nach DIN ISO 2768 mittel				Material	
This drawing is our literary property and may neither copied nor to be exposed approachable to third persons without our agreement; according to German Copyright Act					
				Datum	Name
				Gezeichnet 30.07.2014	jk
				Kontrolliert	
				Norm	
				Projekt Nr.	
Status	Änderungen	Datum	Name		



Bezeichnung:  
C 608 mit integrierter LED Beleuchtung

Z-Nr:VRS\_ED1\_31\_0001

1  
A3



Deckenhaken C 675

Hammerkopf-Set M 1470

Profil C 601

Deckenprofil C 670

Alle Toleranzen nach DIN ISO 2768 mittel

Material

This drawing is our literary property and may neither copied nor to be exposed approachable to third persons without our agreement; according to German Copyright Act

				Datum	Name
			Gezeichnet	04.07.2014	jk
			Kontrolliert		
			Norm		
			Projekt Nr.		
Status	Änderungen	Datum	Name		

**OCTANORM** 

Bezeichnung:  
Deckenhalter C 670

Z-Nr:VRS\_ED1\_10\_0004

1  
A3