



TECHNICAL INFORMATION

OCTANORM CLEANROOM SYSTEMS

ELECTRONIC AND SEMICONDUCTOR

Ceiling systems up to 200kg/m²

Ceiling system ED1 without lighting

Ceiling system ED1 with lighting

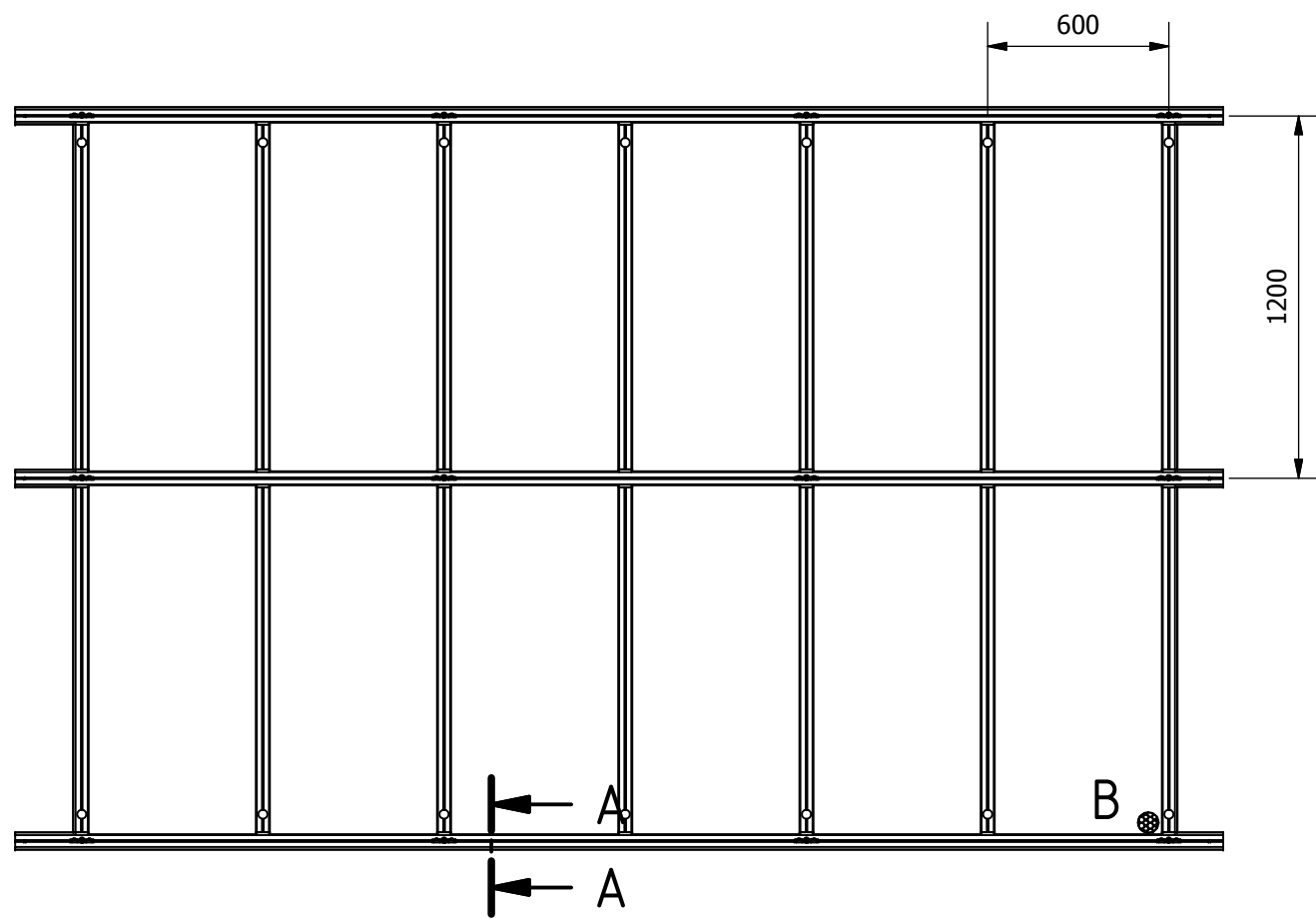


TECHNICAL DATA SHEET

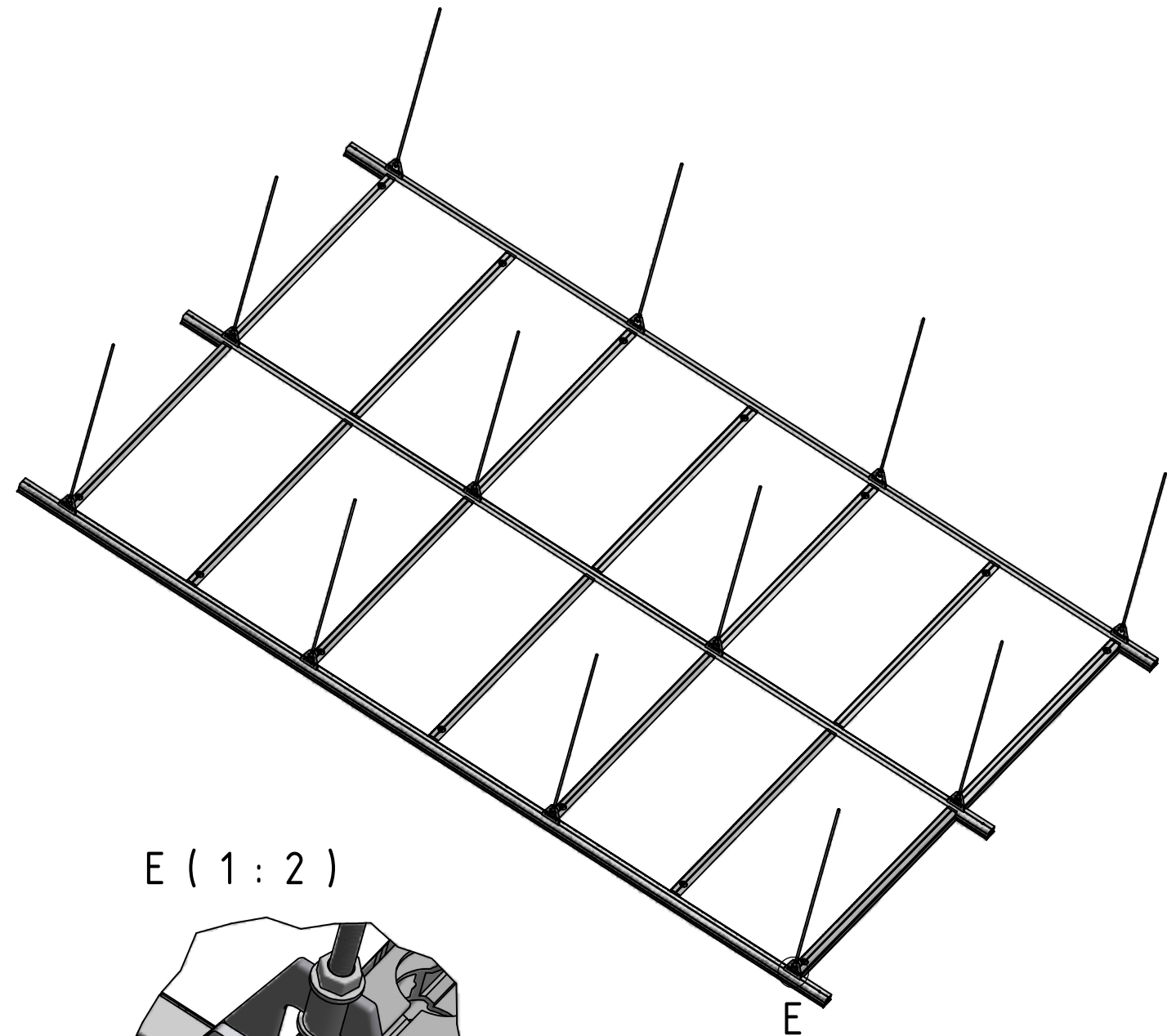
CEILING SYSTEM ED1

Ceiling system with inlaid ceiling panels
Grid ceiling

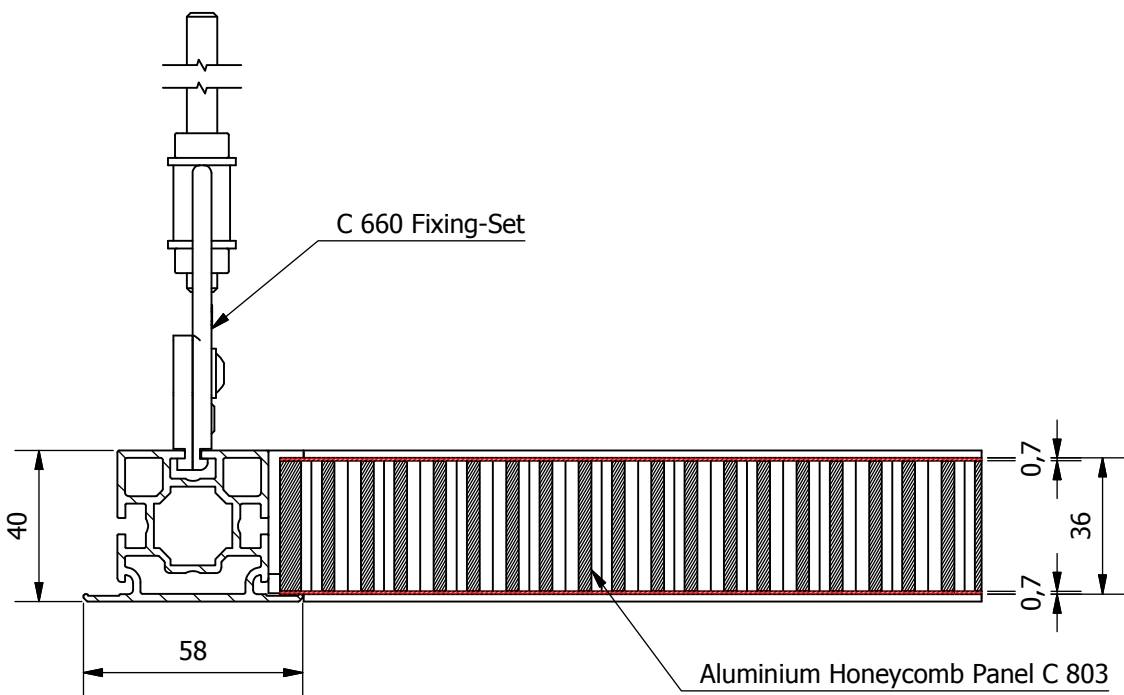
Surface of beam / extrusion	Aluminium, anodized, E6 EV1
Lighting	No
Panels	40 mm, Aluminium sheet, both-sided
Filling	Rock wool, Honeycomb, Sandwichpanel
Walkable	Yes
Standard grid	600 × 1200 mm or 1200 × 1200 mm
Standard color	RAL 9010



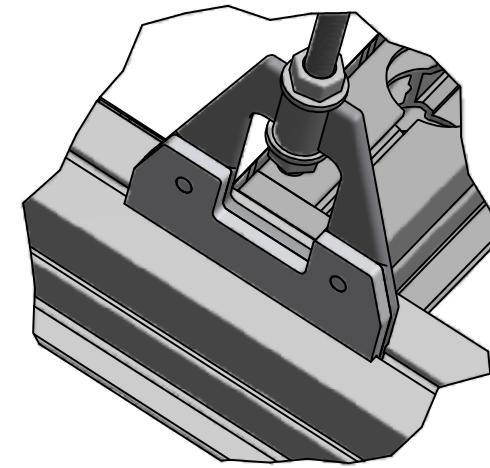
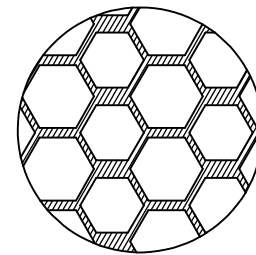
A-A (1 : 2)




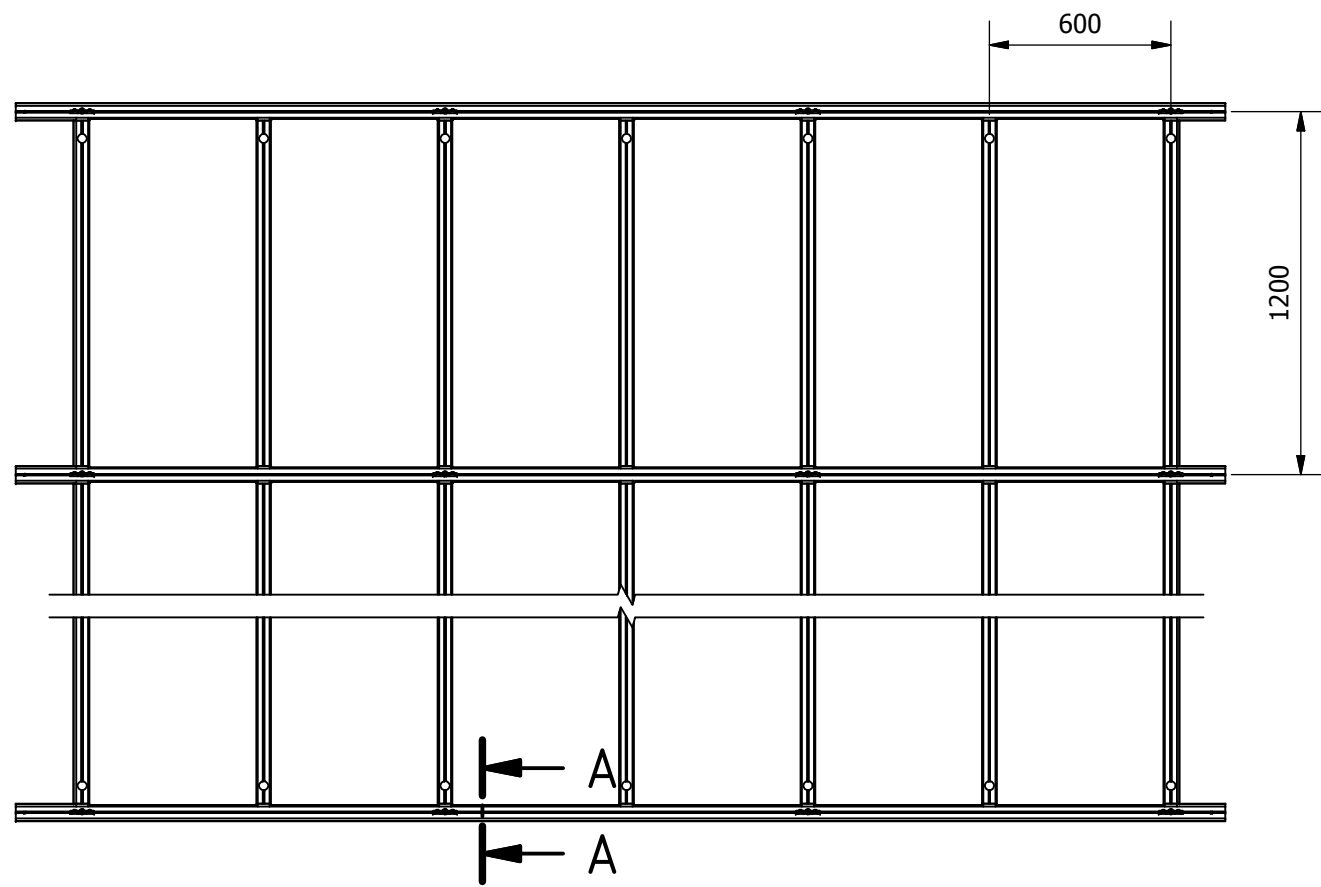
E (1 : 2)



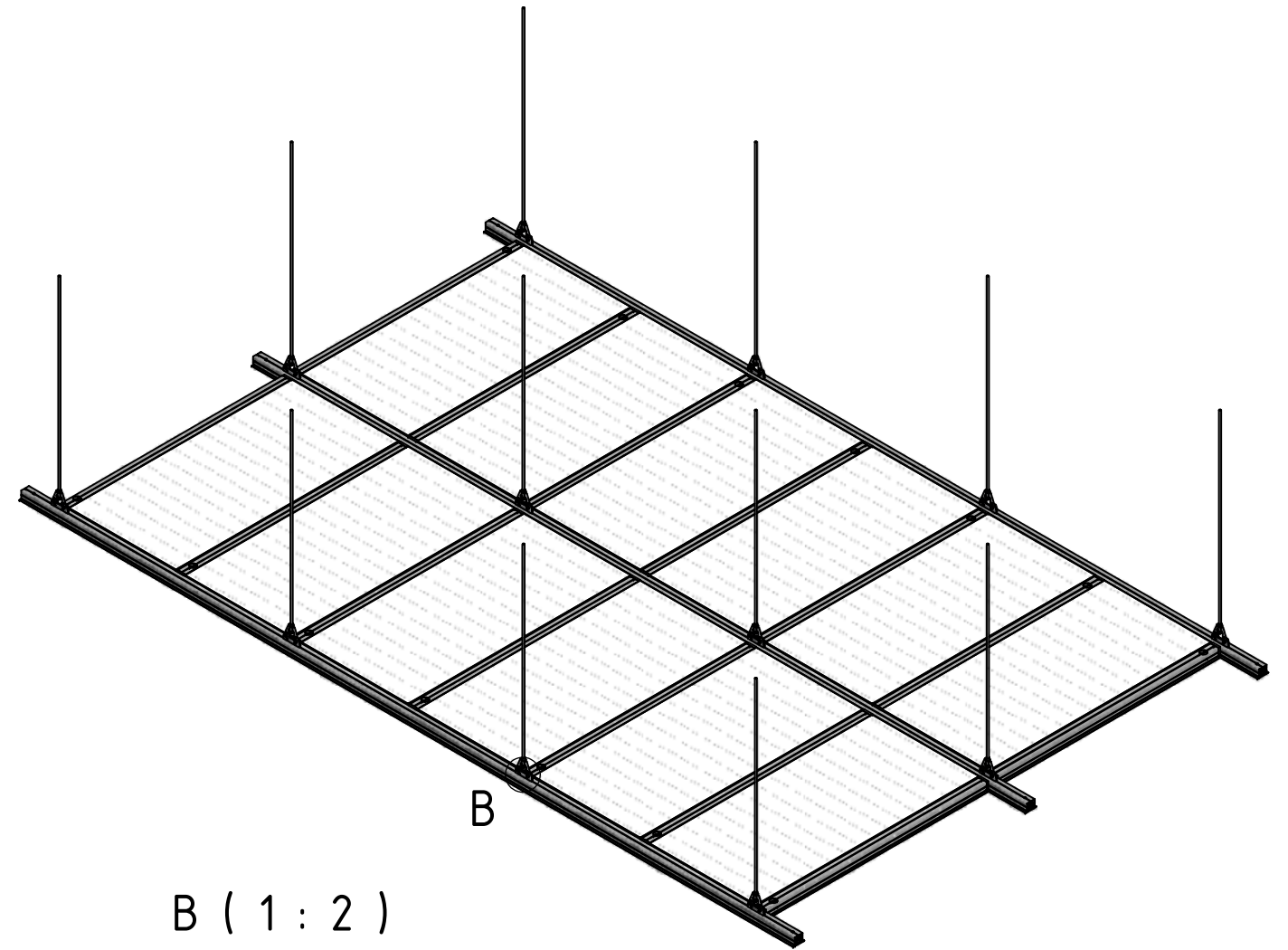
B (1 : 2)



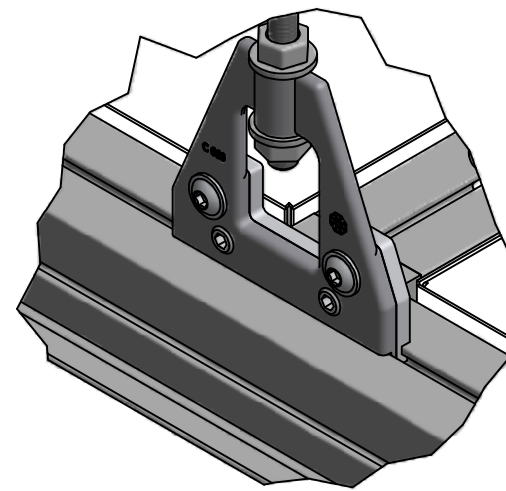
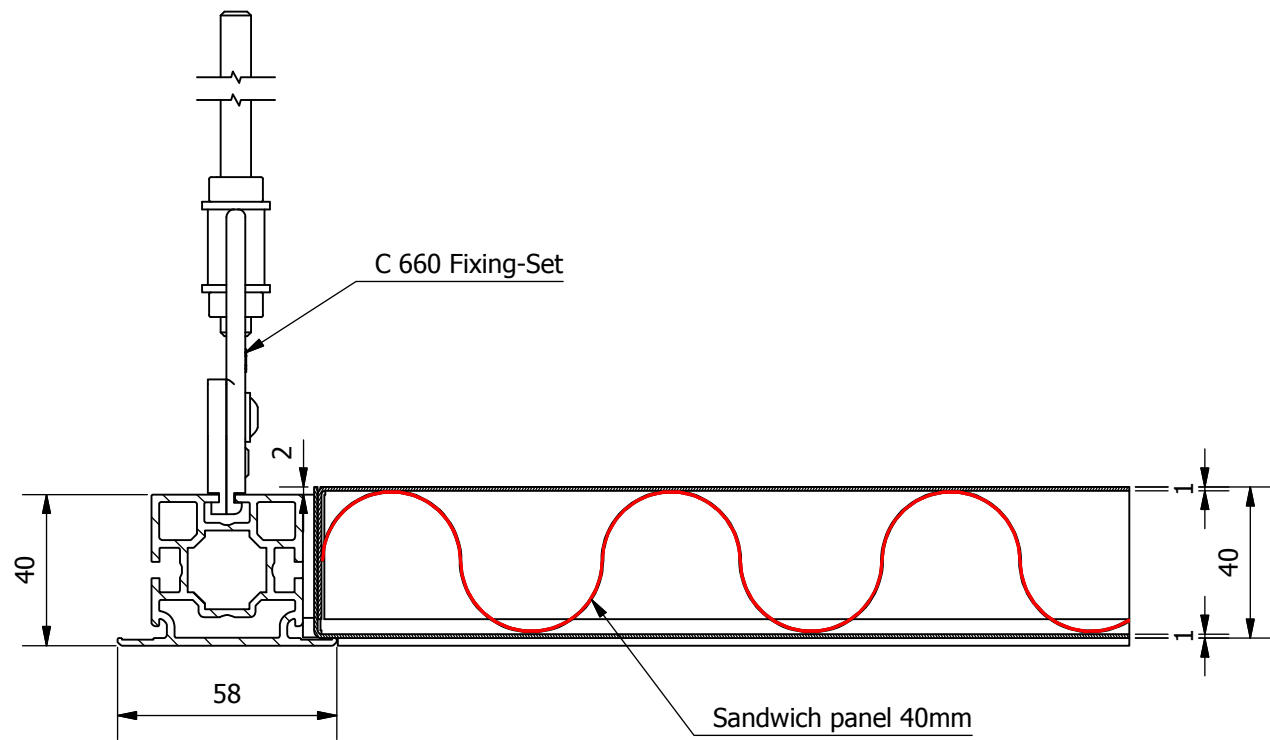
Alle Toleranzen nach DIN ISO 2768 mittel				Material		
This drawing is our literary property and may neither copied nor to be exposed approachable to third persons without our agreement; according to German Copyright Act						
				Datum	Name	Bezeichnung: Ceiling system DE 2 with Aluminium Honeycomb panel C 803
				Gezeichnet	11.07.2014 jk	
				Kontrolliert		
				Norm		Z-Nr:VRS_ED1_10_0002
				Projekt Nr.		
Status	Änderungen	Datum	Name			1 A3




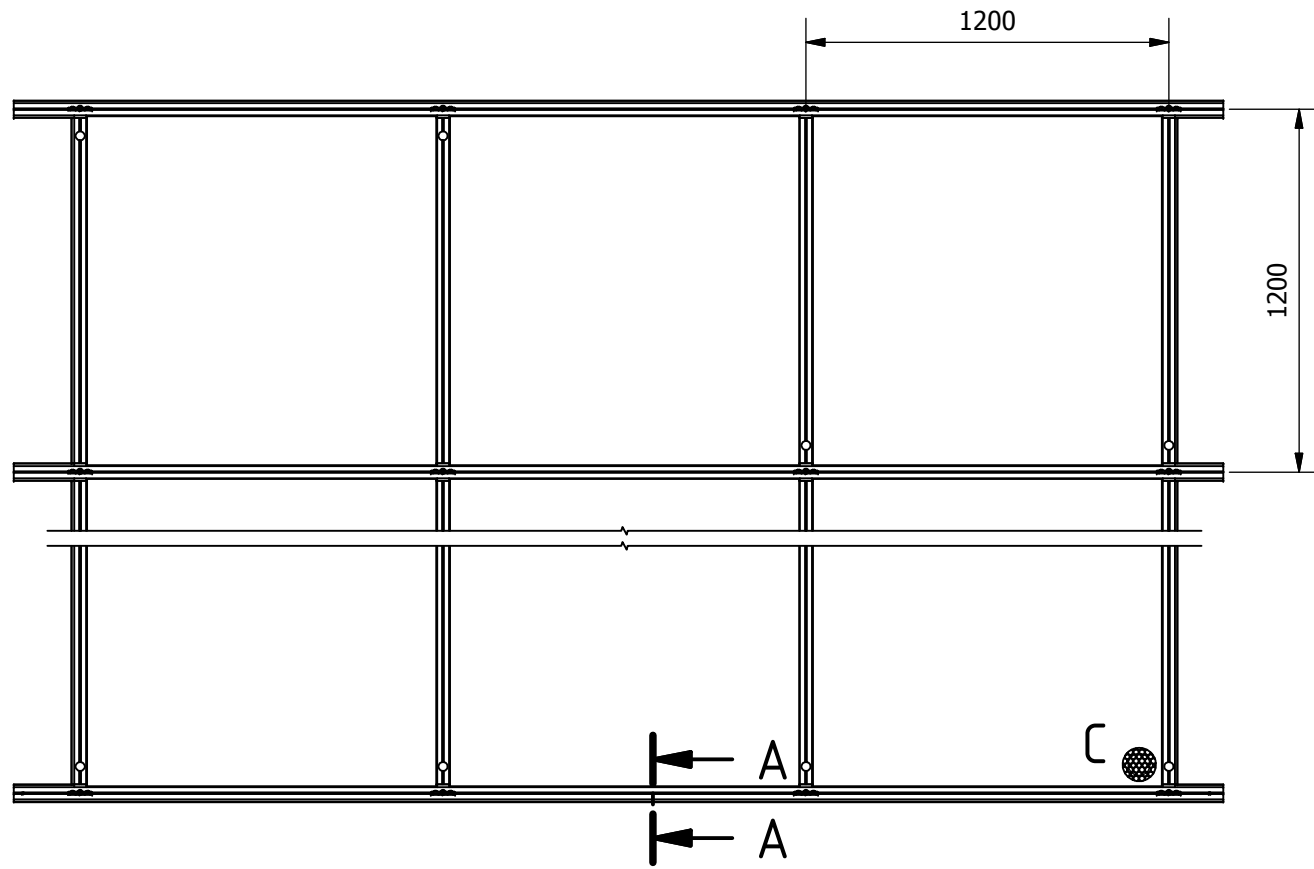
A-A (1 : 2)



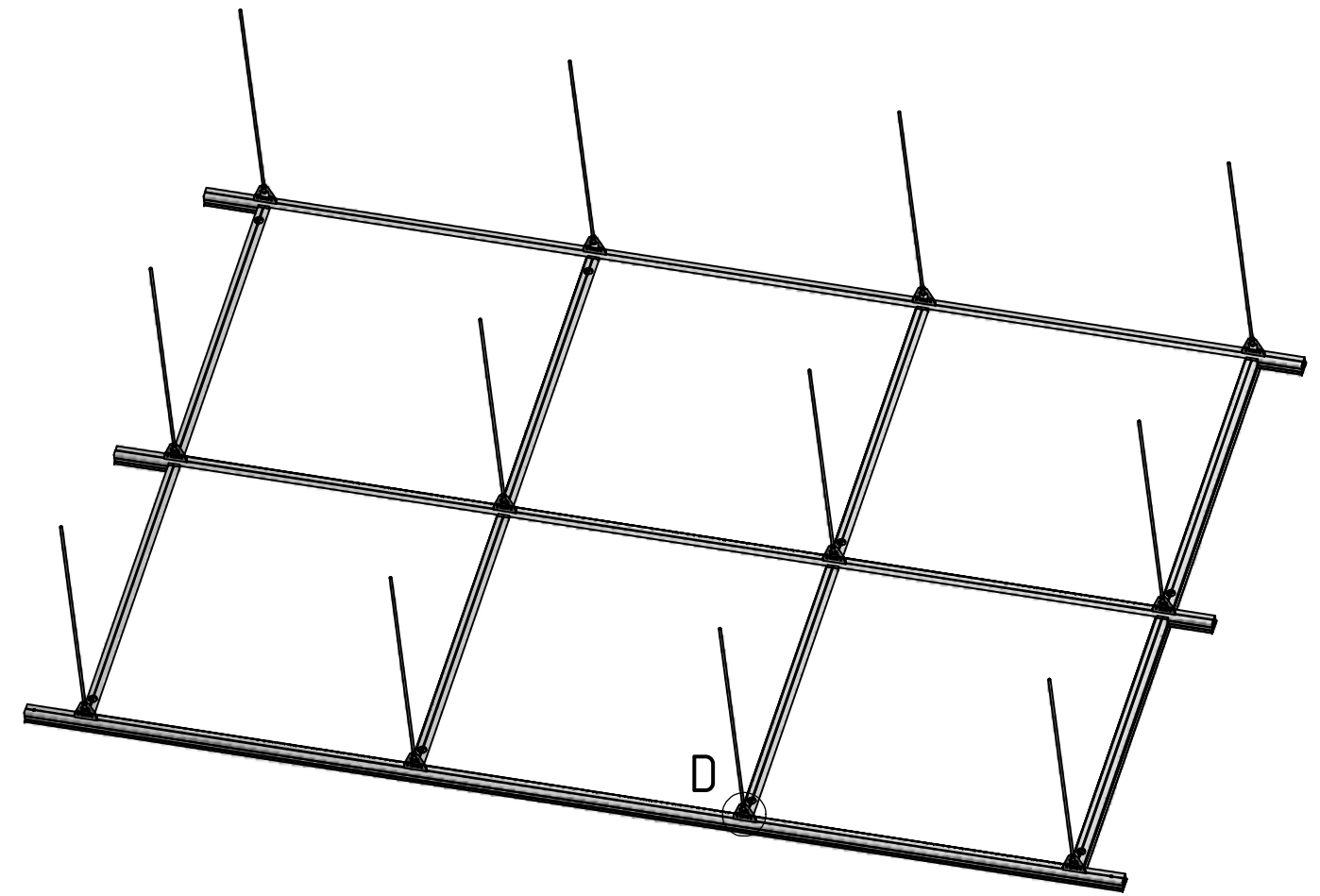
B (1 : 2)



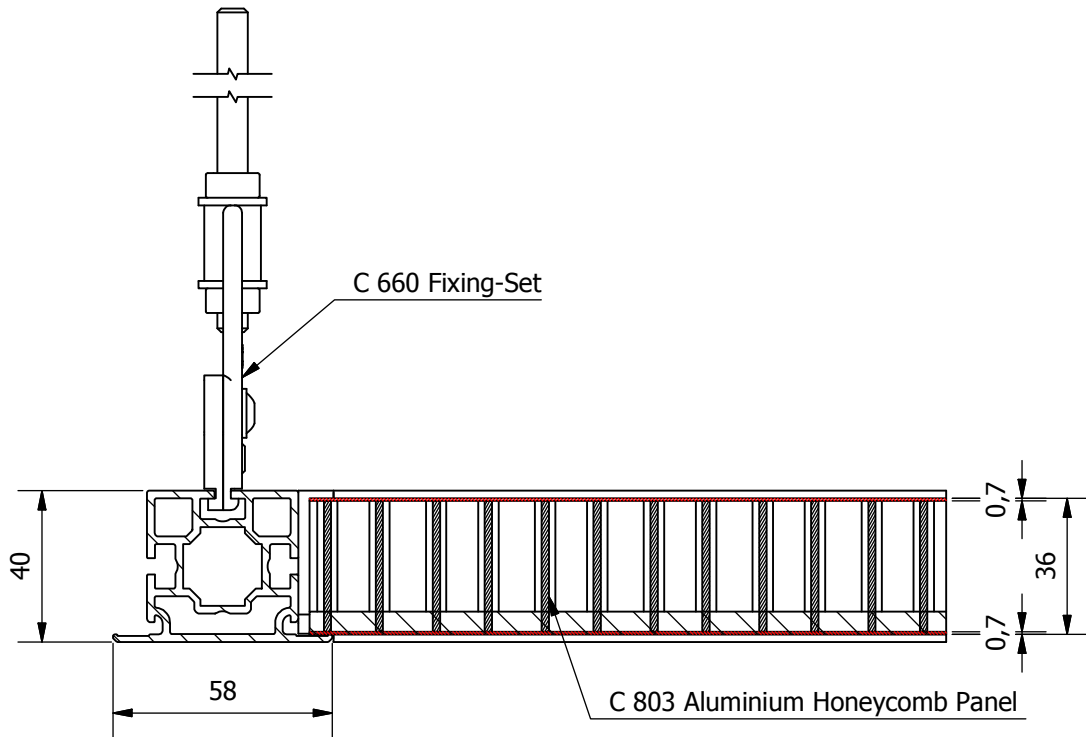
Alle Toleranzen nach DIN ISO 2768 mittel				Material		
This drawing is our literary property and may neither copied nor to be exposed approachable to third persons without our agreement; according to German Copyright Act				Datum	Name	
				Gezeichnet	11.07.2014	jk
				Kontrolliert		
				Norm		
				Projekt Nr.		Bezeichnung: Ceiling system with 40mm Sandwich panel Z-Nr:VRS_ED1_10_0003
Status	Änderungen	Datum	Name			1 A3



A-A (1 : 2)



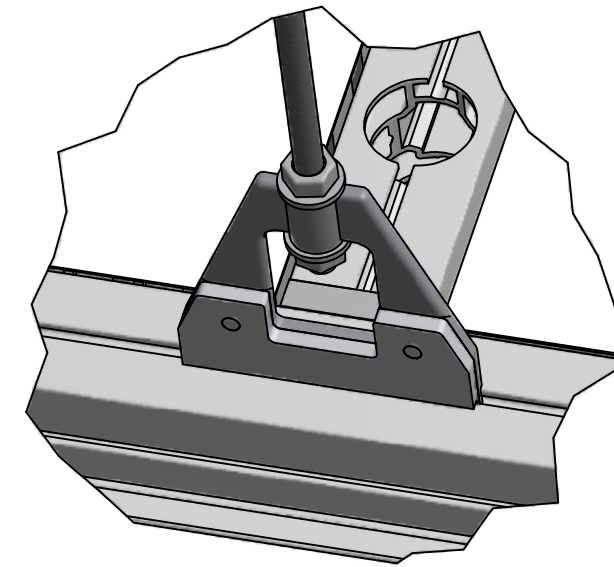
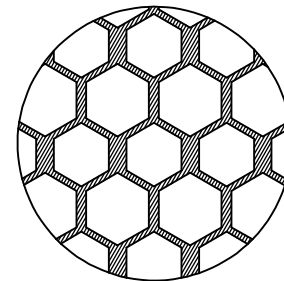
D (1 : 2)




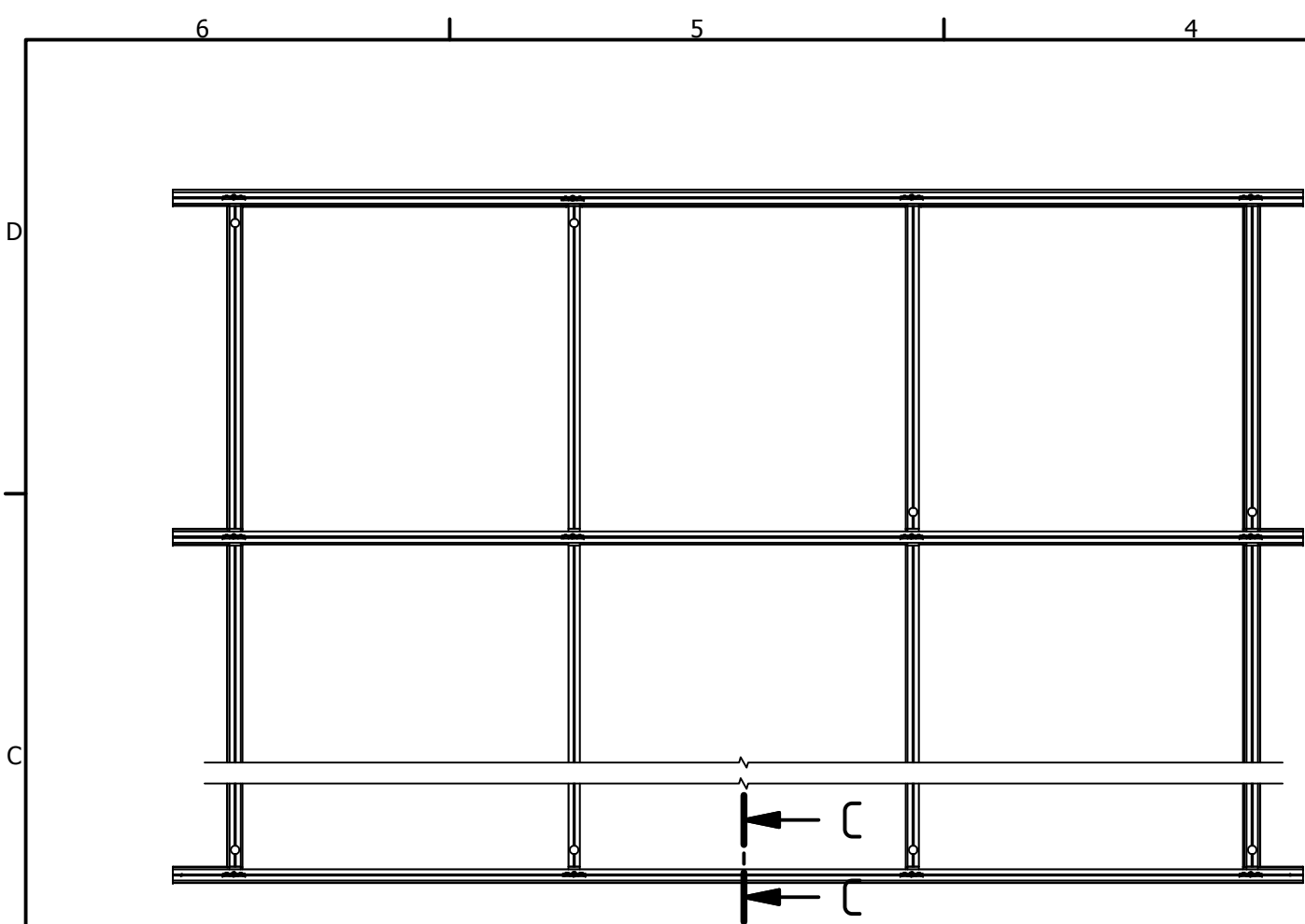
C 660 Fixing-Set

C 803 Aluminium Honeycomb Panel

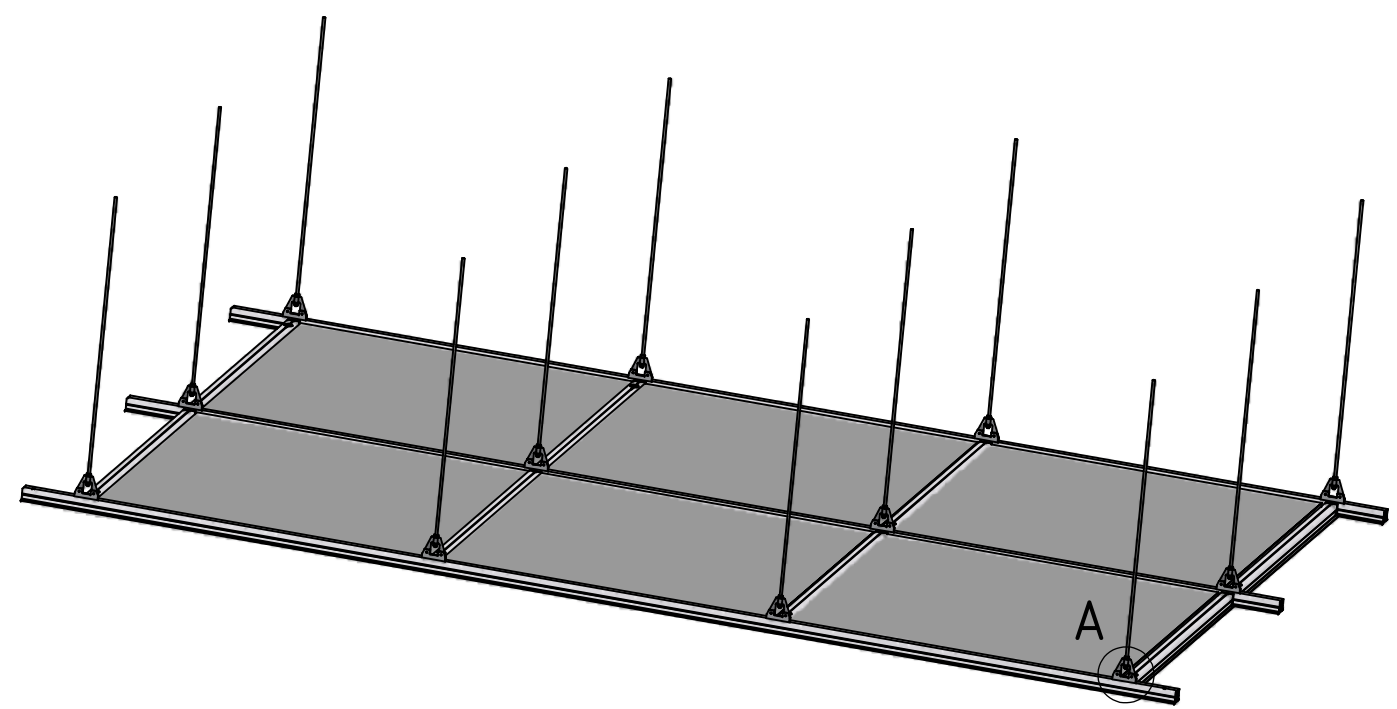
C (1 : 2)



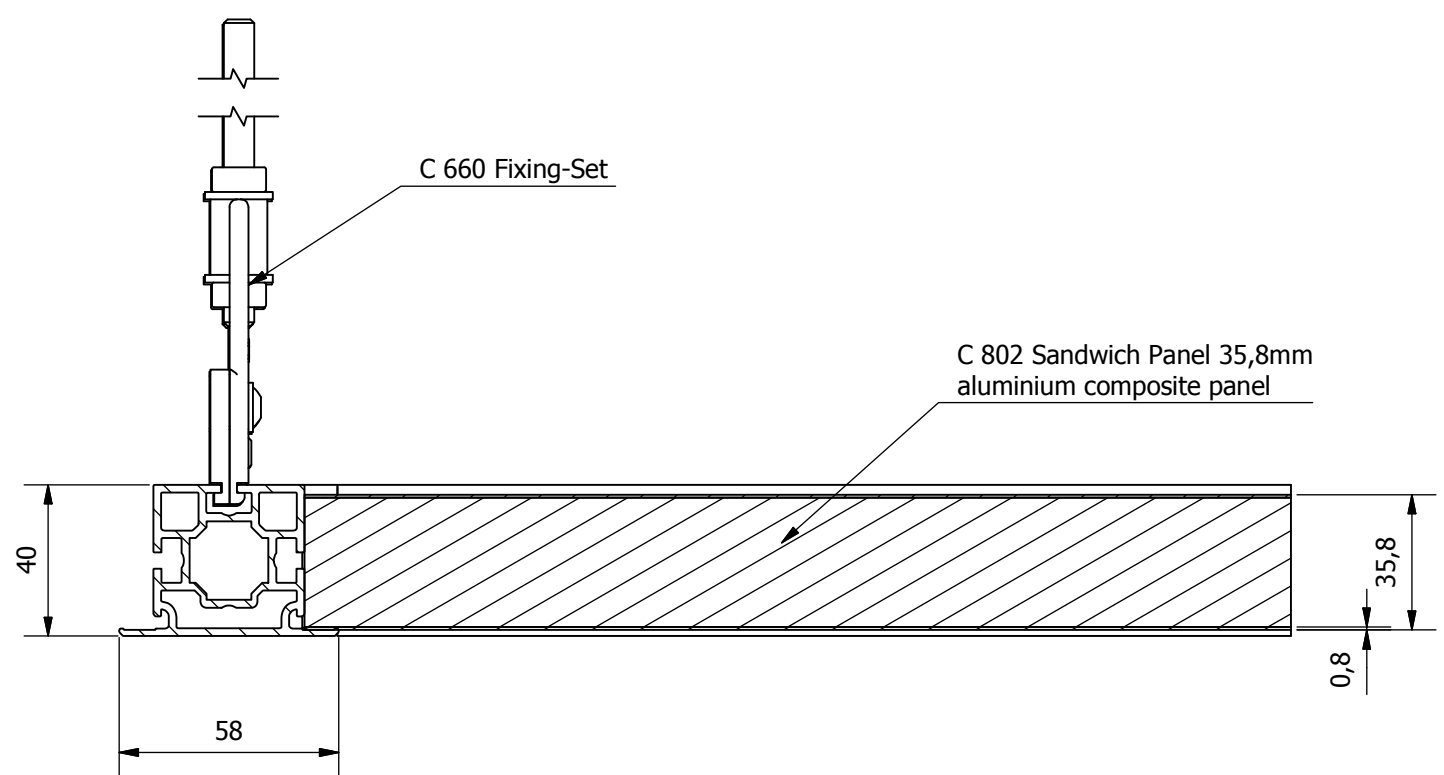
Alle Toleranzen nach DIN ISO 2768 mittel				Material		
This drawing is our literary property and may neither copied nor to be exposed approachable to third persons without our agreement; according to German Copyright Act				Datum	Name	
				Gezeichnet	11.07.2014	jk
				Kontrolliert		
				Norm		
				Projekt Nr.		Bezeichnung: Ceiling system DE 2 with Aluminium Honeycomb panel C 803
Status	Änderungen	Datum	Name			Z-Nr:VRS_ED1_20_0001
						1
						A3



C-C (1 : 2)

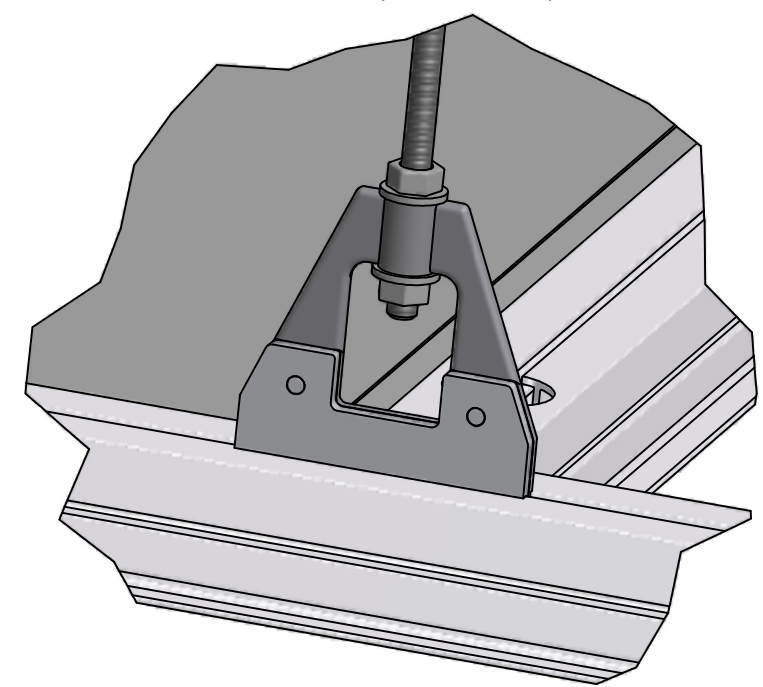



A (1 : 2)

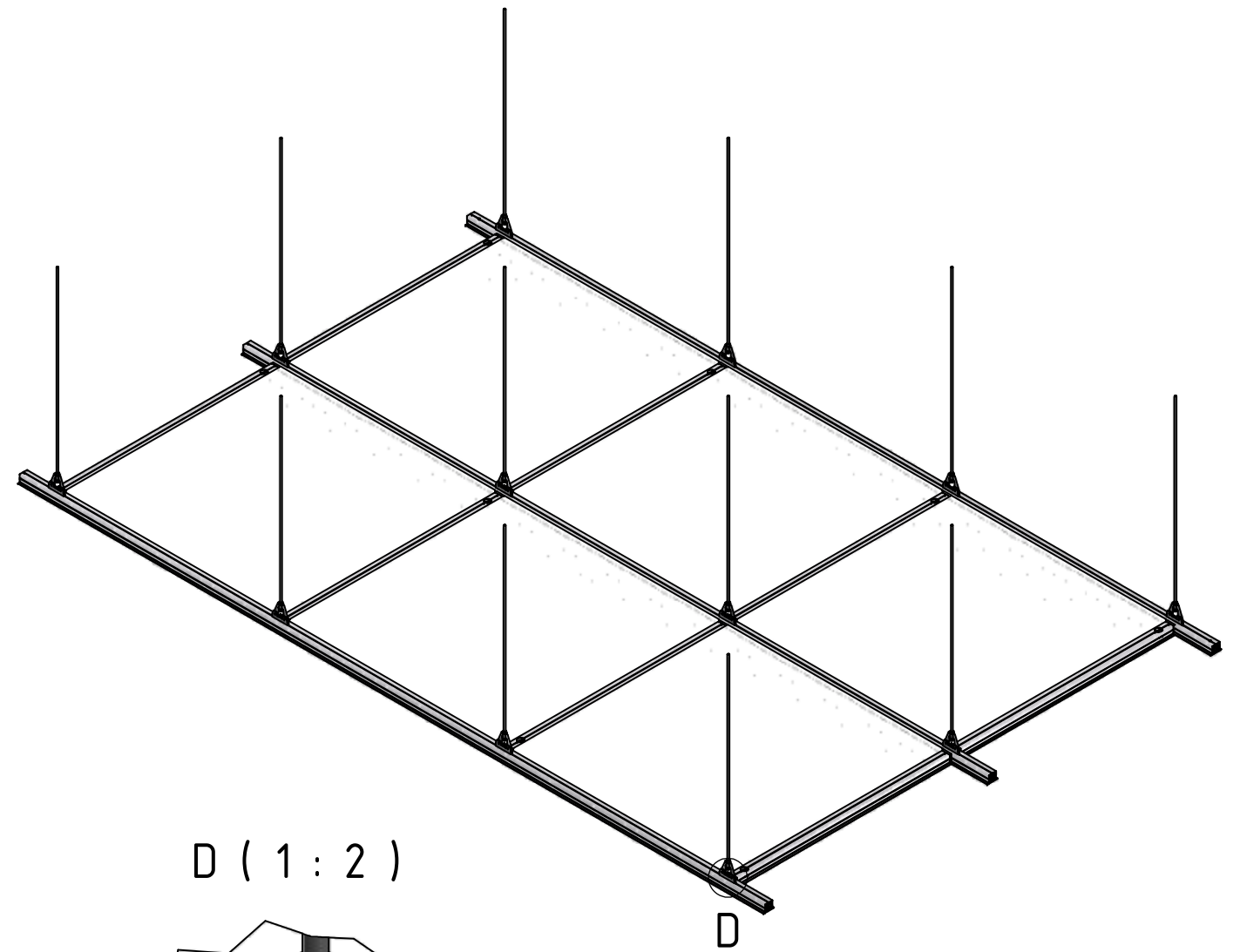
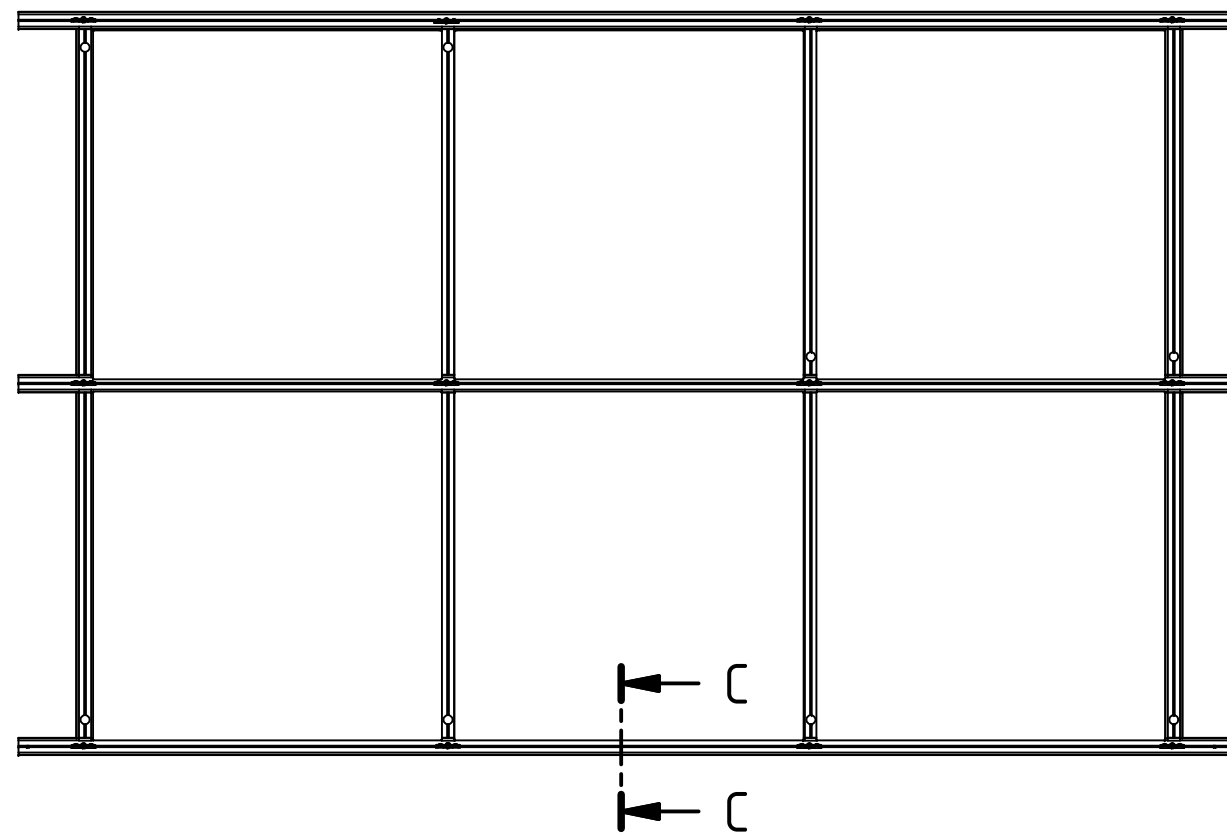


C 660 Fixing-Set

C 802 Sandwich Panel 35,8mm
aluminium composite panel

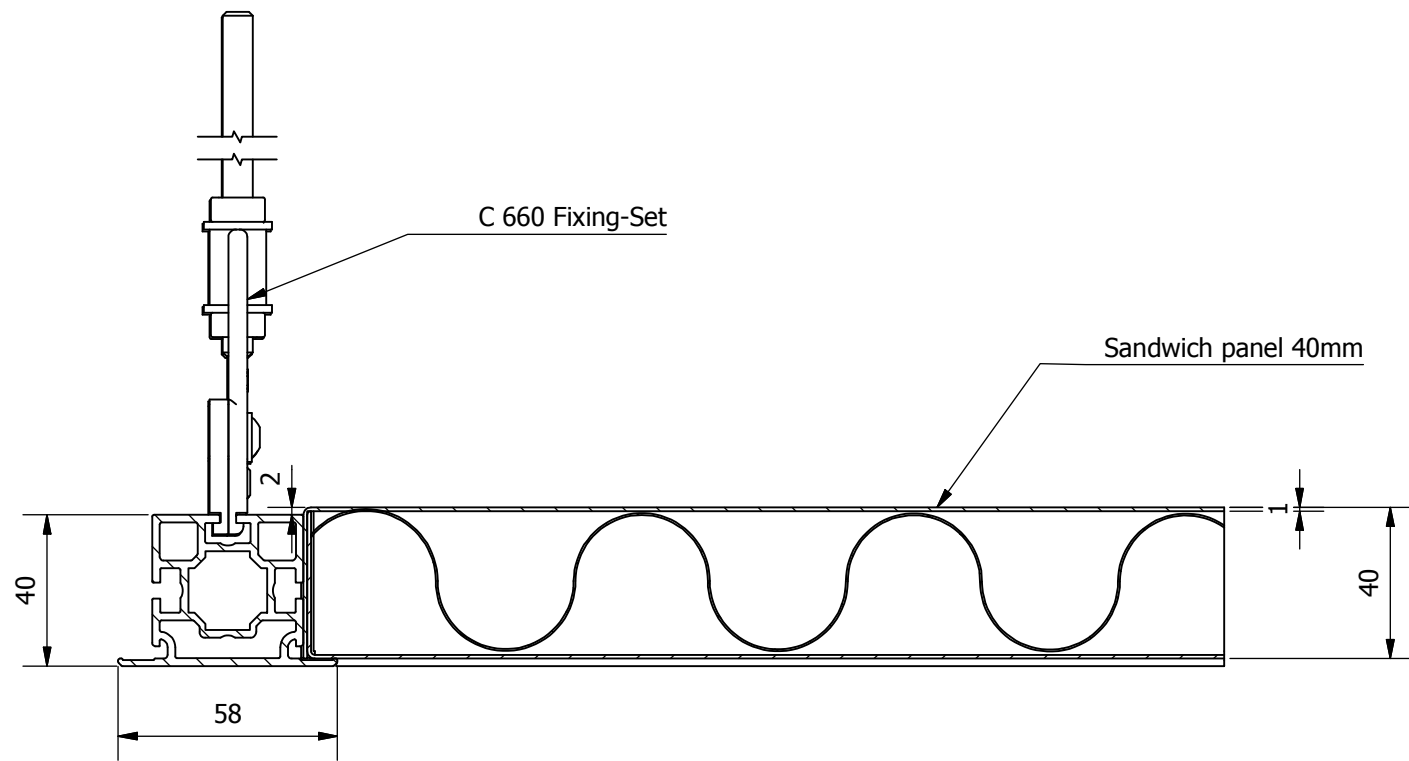
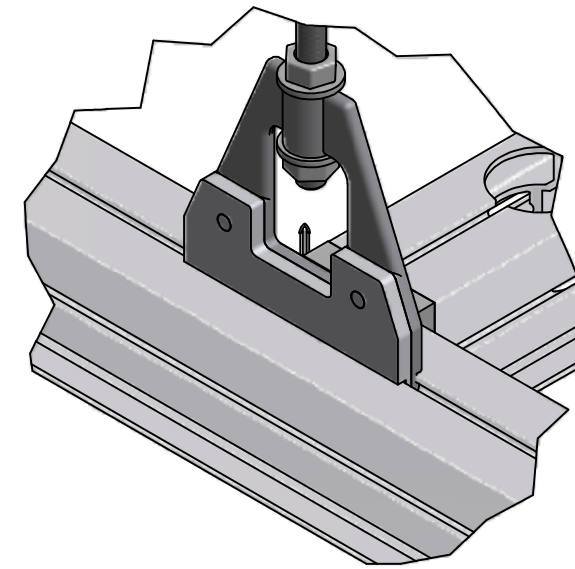



Alle Toleranzen nach DIN ISO 2768 mittel				Material		
This drawing is our literary property and may neither copied nor to be exposed approachable to third persons without our agreement; according to German Copyright Act				Datum	Name	
				Gezeichnet	04.07.2014	jk
				Kontrolliert		
				Norm		
				Projekt Nr.		Bezeichnung: Ceiling system DE 2 with sandwich panel Z-Nr:VRS_ED1_20_0002
Status	Änderungen	Datum	Name			1 A3

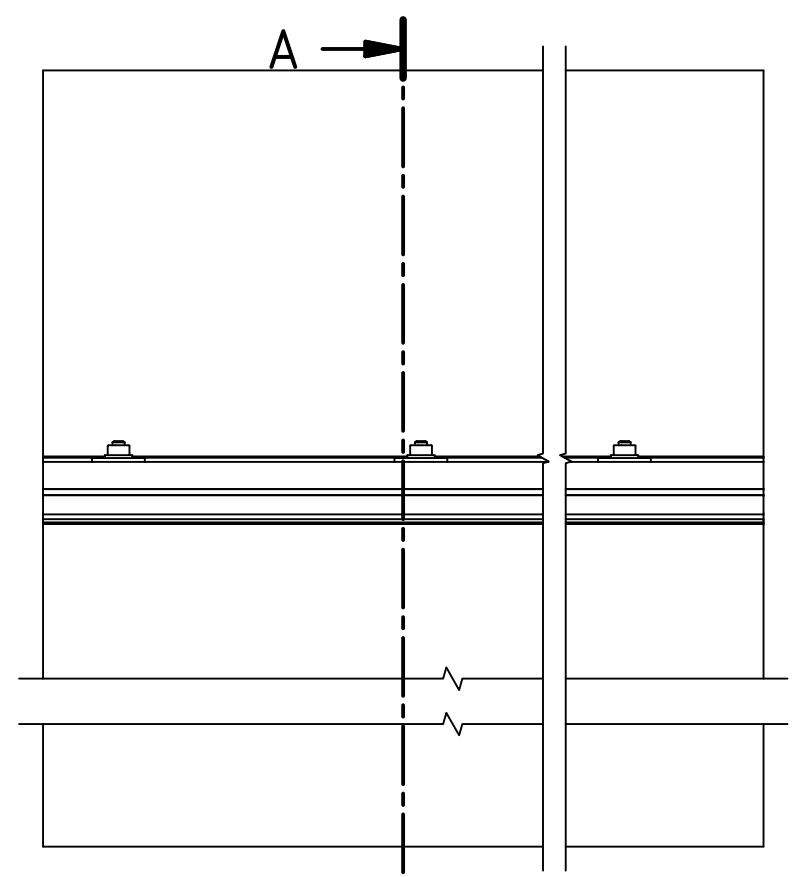


D (1 : 2)

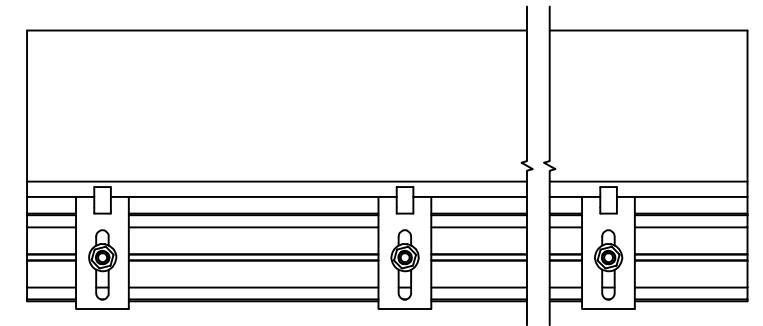
C-C (1 : 2)



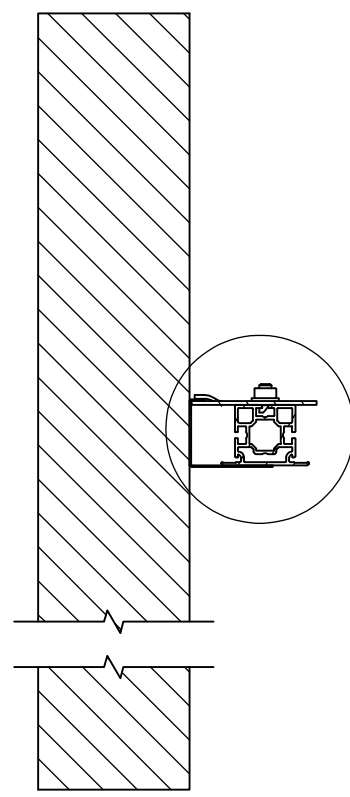
Alle Toleranzen nach DIN ISO 2768 mittel				Material		
This drawing is our literary property and may neither copied nor to be exposed approachable to third persons without our agreement; according to German Copyright Act				Datum	Name	
				Gezeichnet	04.07.2014	jk
				Kontrolliert		
				Norm		
				Projekt Nr.		Bezeichnung: Ceiling system D 2 with 40mm Sandwich panel Z-Nr:VRS_ED1_20_0003
Status	Änderungen	Datum	Name			1 A3



A →



A-A



B

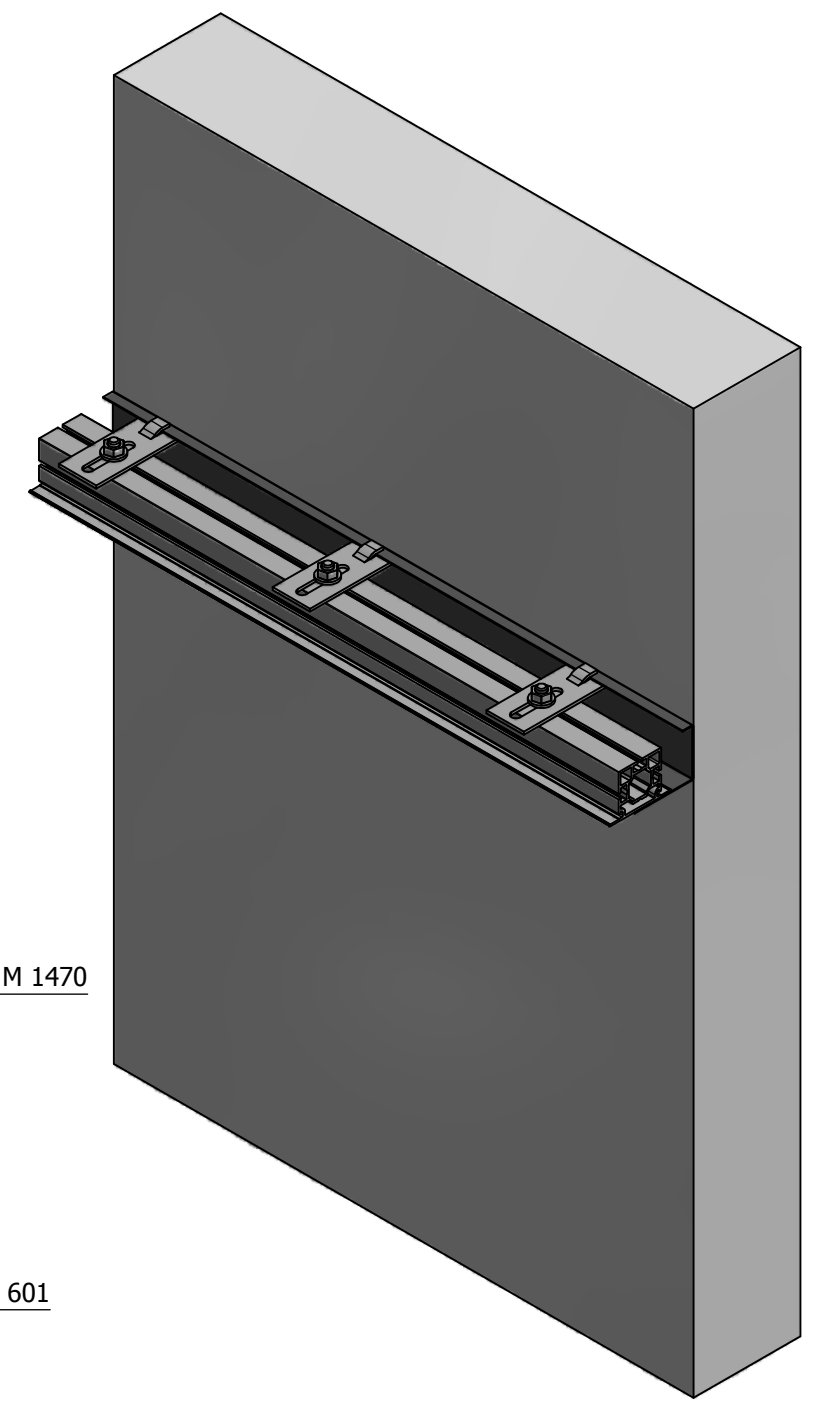
B (1 : 1)

Deckenhaken C 675

Hammerkopf-Set M 1470

Profil C 601

Deckenprofil C 670



Alle Toleranzen nach DIN ISO 2768 mittel				Material	
This drawing is our literary property and may neither copied nor to be exposed approachable to third persons without our agreement; according to German Copyright Act					
				Datum	Name
				Gezeichnet 04.07.2014	jk
				Kontrolliert	
				Norm	
				Projekt Nr.	
Status	Änderungen	Datum	Name		



Bezeichnung:
Deckenhalter C 670

Z-Nr:VRS_ED1_10_0004

1
A3



TECHNICAL DATA SHEET

CEILING SYSTEM ED1

Ceiling system with inlaid ceiling panels
Grid ceiling

Surface of beam / extrusion	Aluminium, anodized, E6 EV1
Lighting	Yes
Panel	40 mm, Aluminium sheet, both-sided
Filling	Rock wool, Honeycomb, Sandwichpanel
Walkable	Yes
Standard grid	600 × 1200 mm or 1200 × 1200 mm
Standard color	RAL 9010

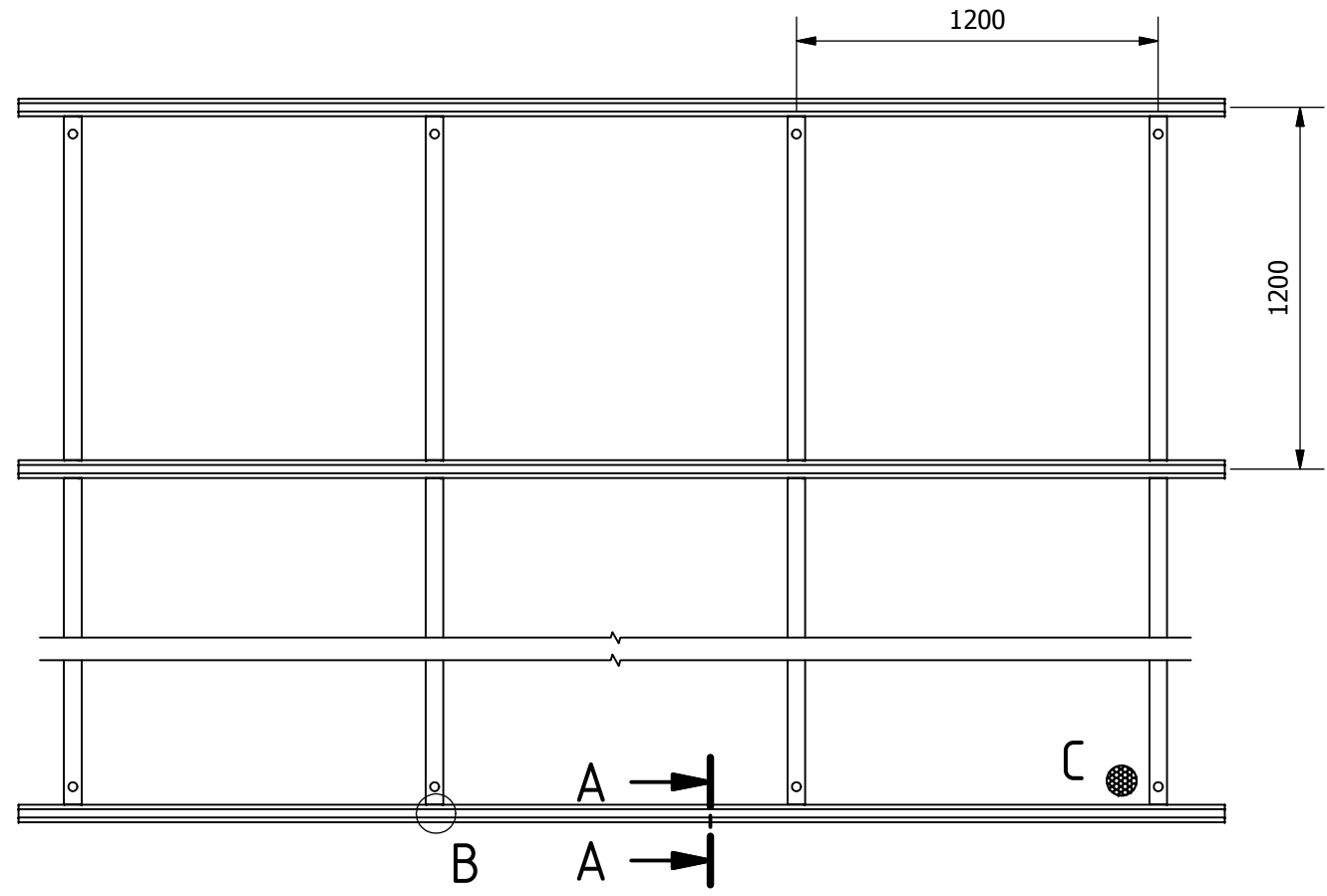
6 5 4 3 2 1

D

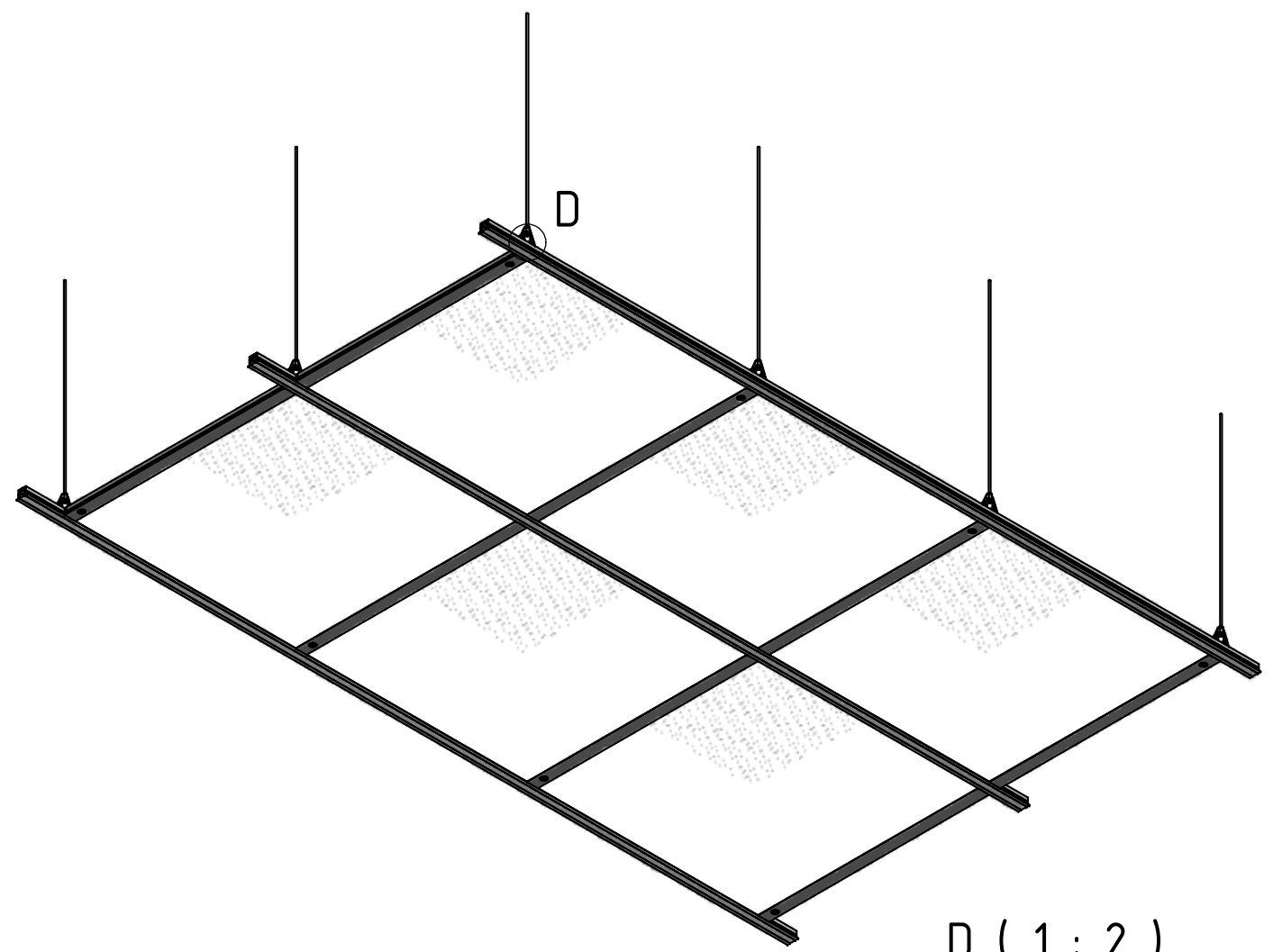
C

B

A

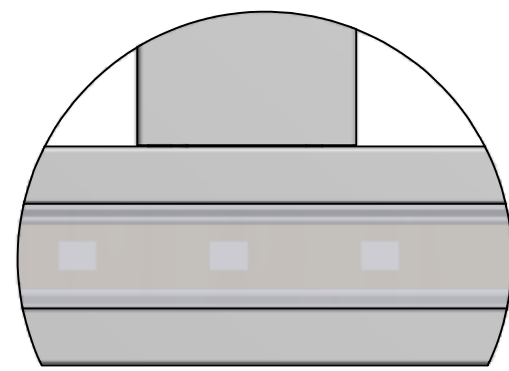


A-A (1 : 2)

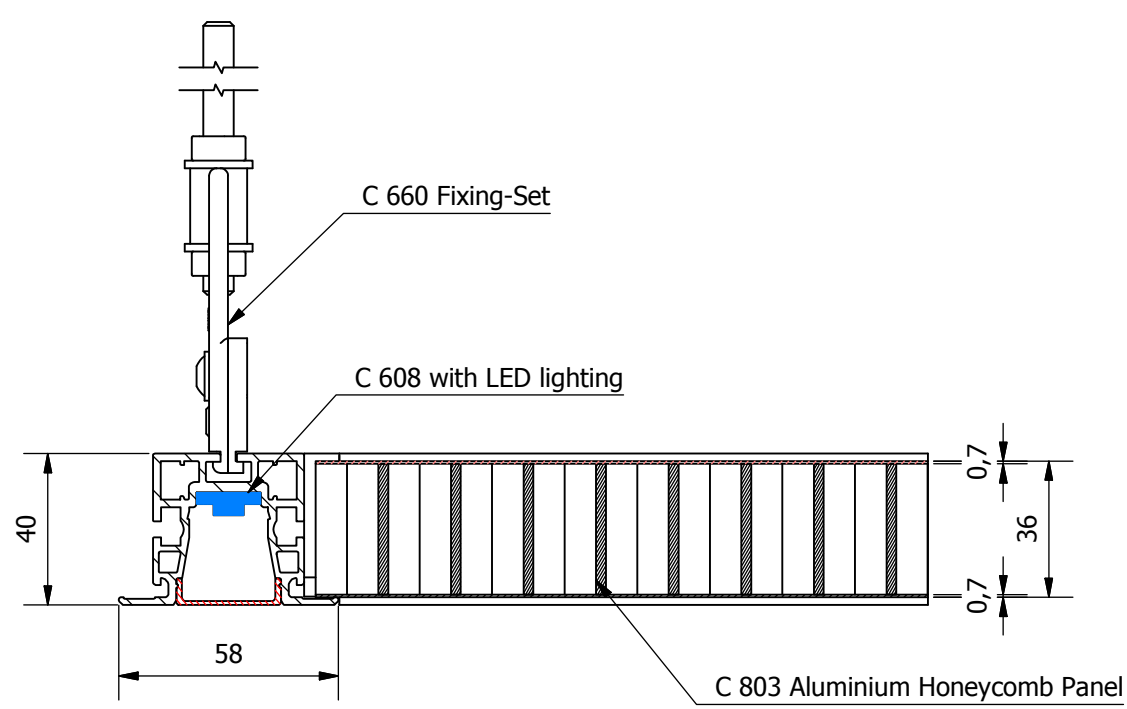
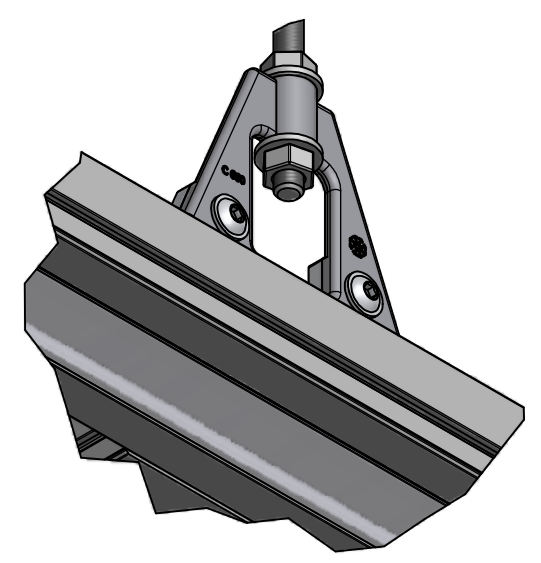
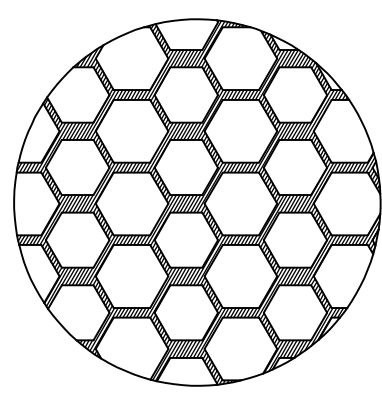


D (1 : 2)

B (1 : 2)



C (1 : 2)



C 660 Fixing-Set

C 608 with LED lighting

C 803 Aluminium Honeycomb Panel

Alle Toleranzen nach DIN ISO 2768 mittel				Material	
This drawing is our literary property and may neither copied nor to be exposed approachable to third persons without our agreement; according to German Copyright Act					
				Datum	Name
				Gezeichnet 14.07.2014	jk
				Kontrolliert	
				Norm	
				Projekt Nr.	
				Z-Nr:VRS_ED1_30_0001	
Status	Änderungen	Datum	Name		

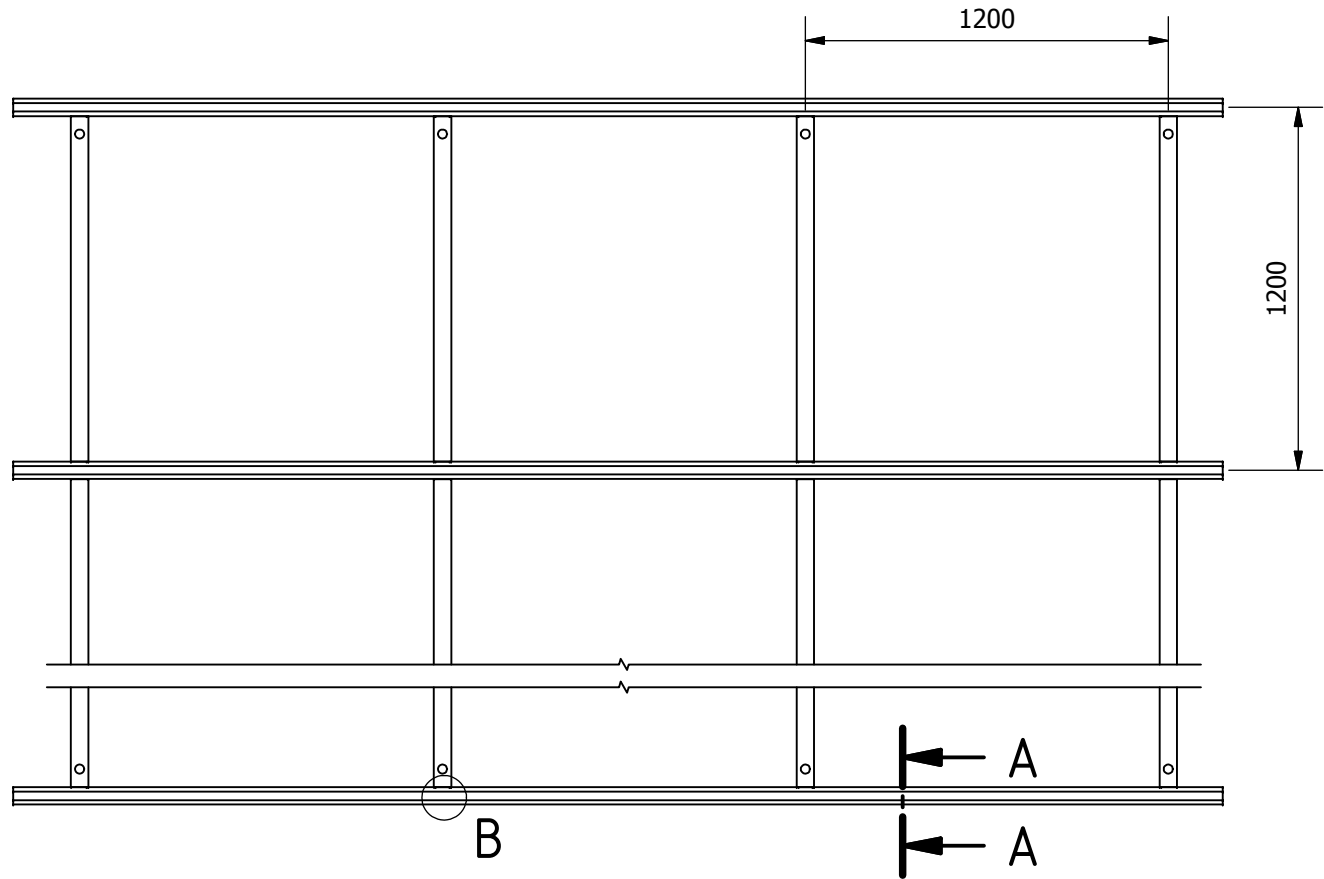


Bezeichnung:
Ceiling system DE 2 with LED lighting and Aluminium Honeycomb panel C 803

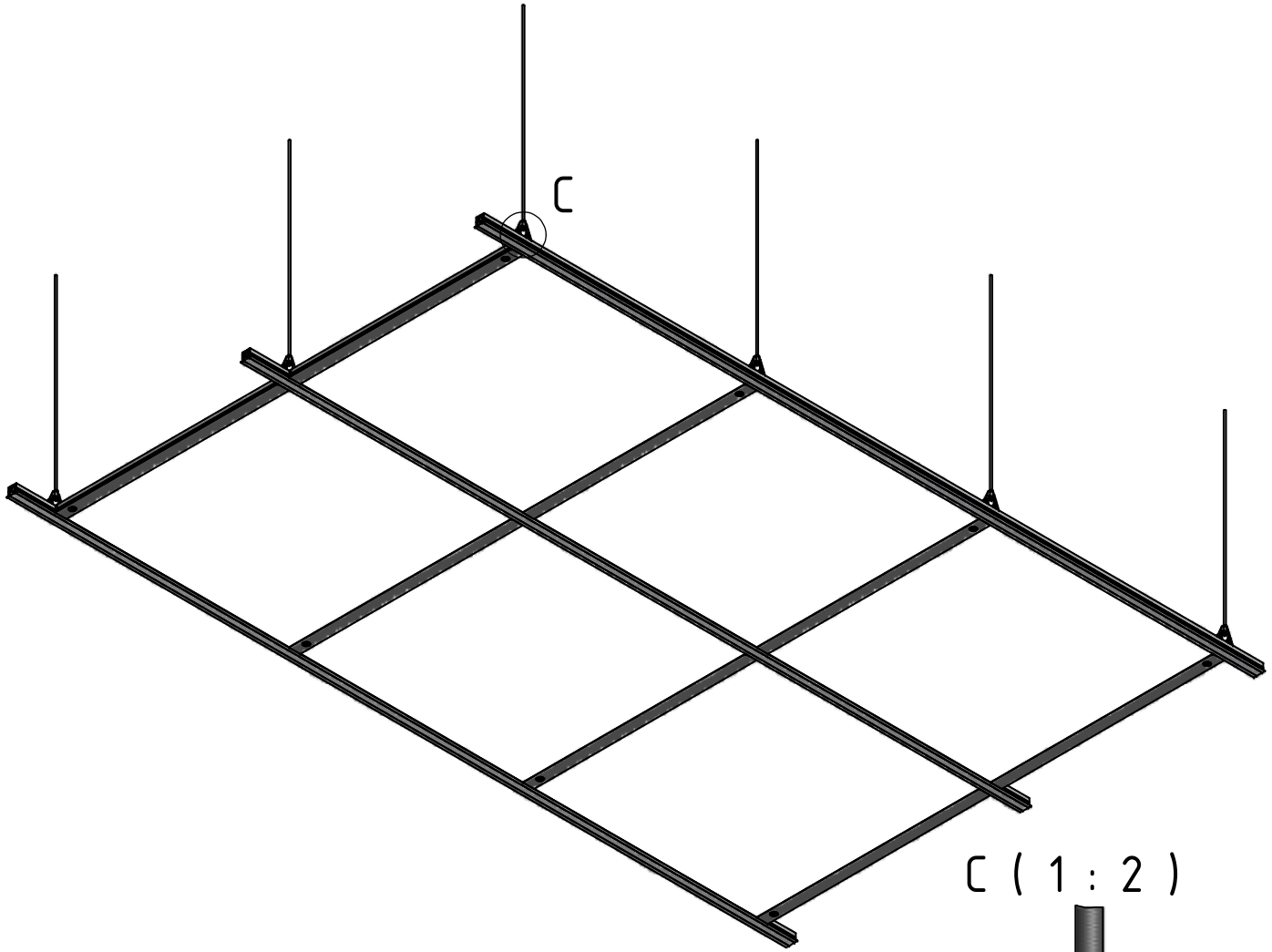
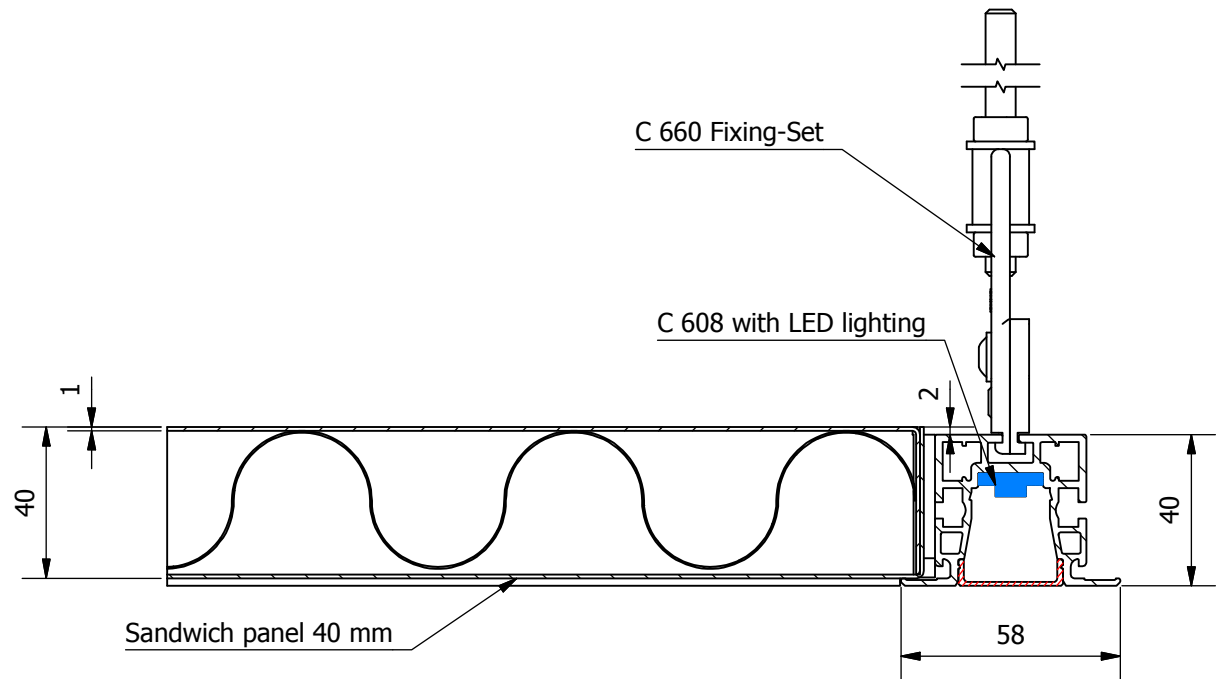
Z-Nr:VRS_ED1_30_0001

1
A3

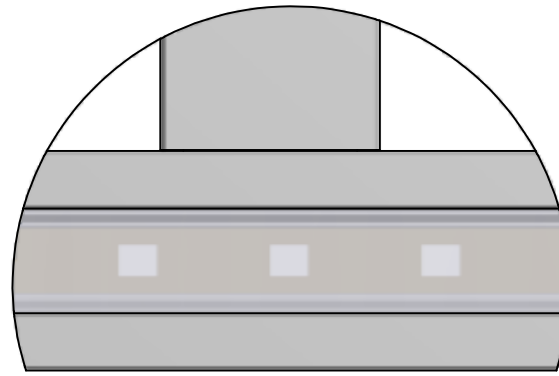
6 5 4 3 2 1



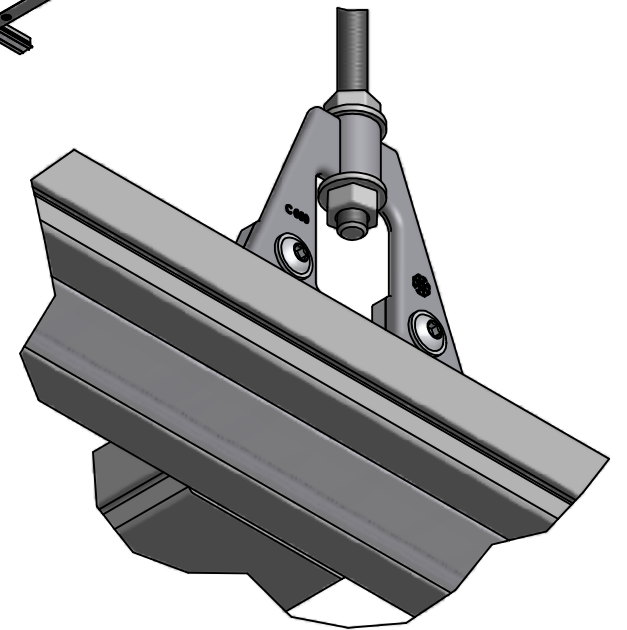
A-A (1 : 2)




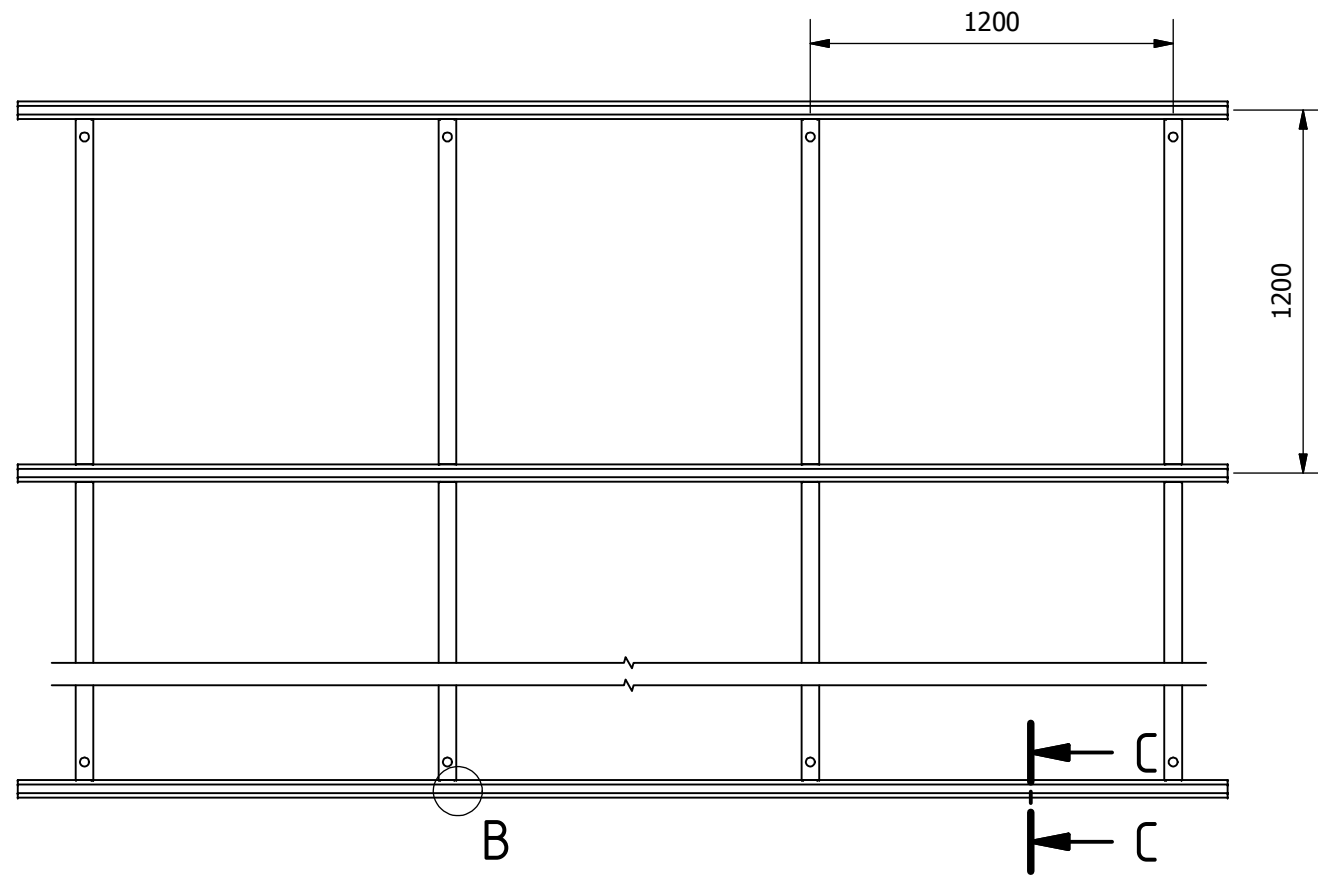
B (1 : 2)



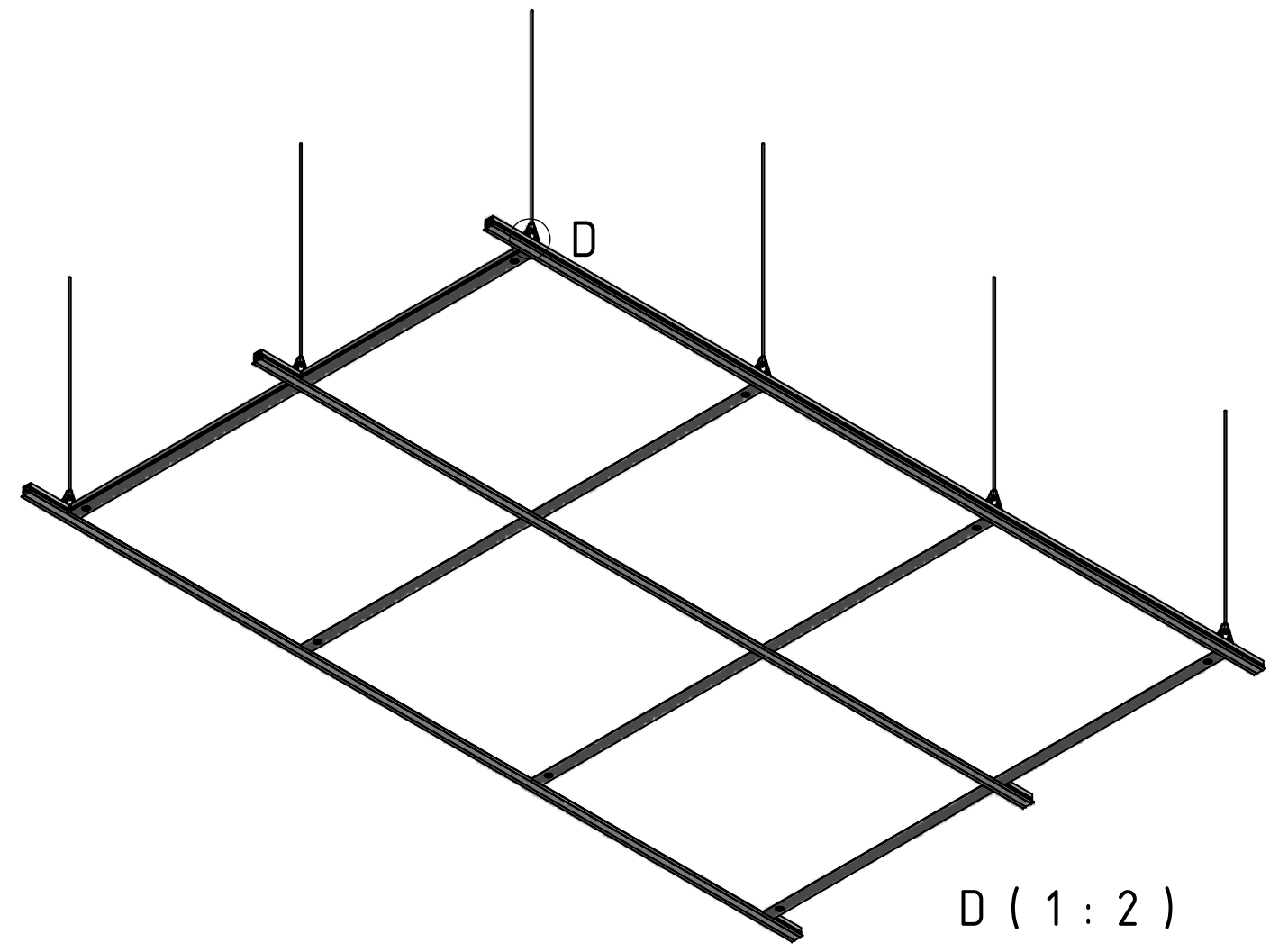
C (1 : 2)



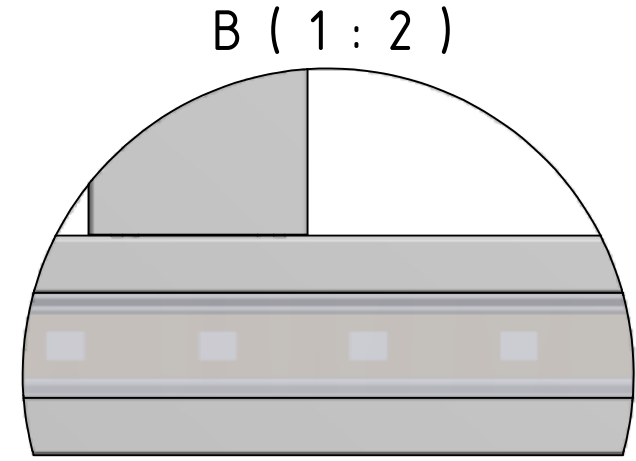
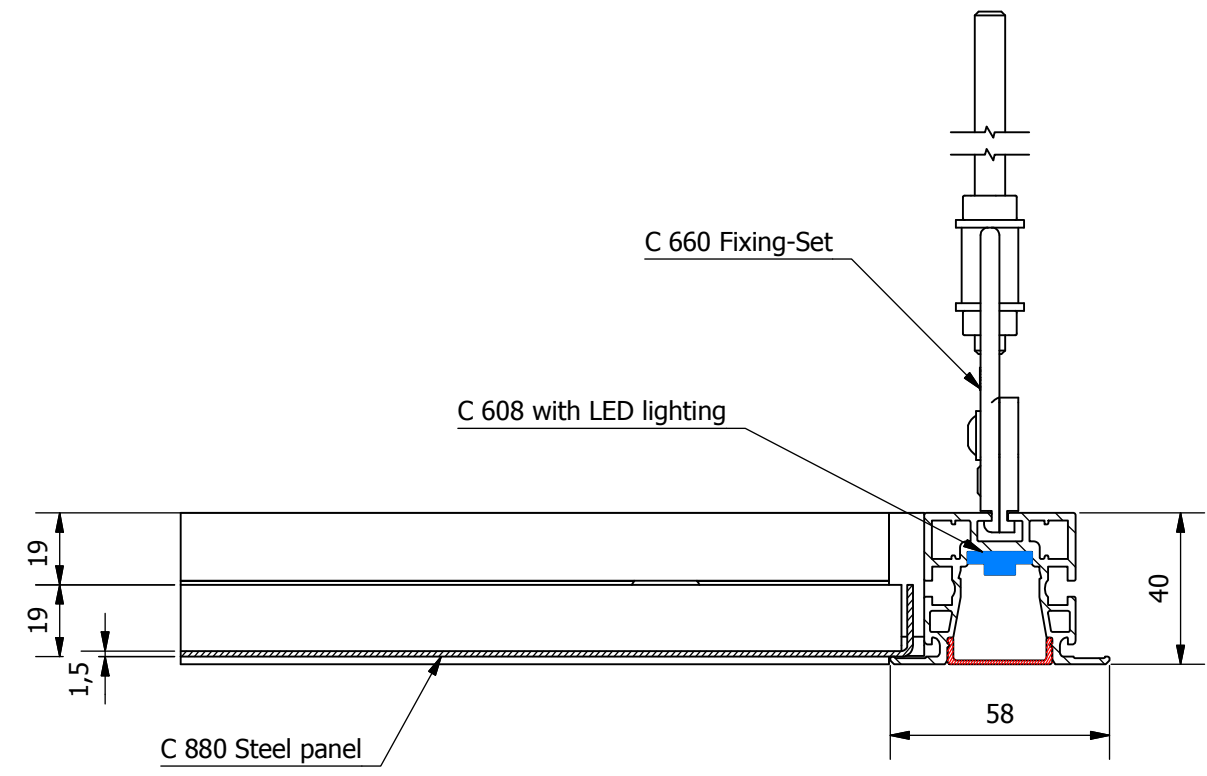
Alle Toleranzen nach DIN ISO 2768 mittel				Material		
This drawing is our literary property and may neither copied nor to be exposed approachable to third persons without our agreement; according to German Copyright Act				Datum	Name	
				Gezeichnet	14.07.2014	jk
				Kontrolliert		
				Norm		
				Projekt Nr.		Bezeichnung: Ceiling system with LED lighting and 40 mm Sandwich panel
Status	Änderungen	Datum	Name			Z-Nr:VRS_ED1_30_0002
						1
						A3



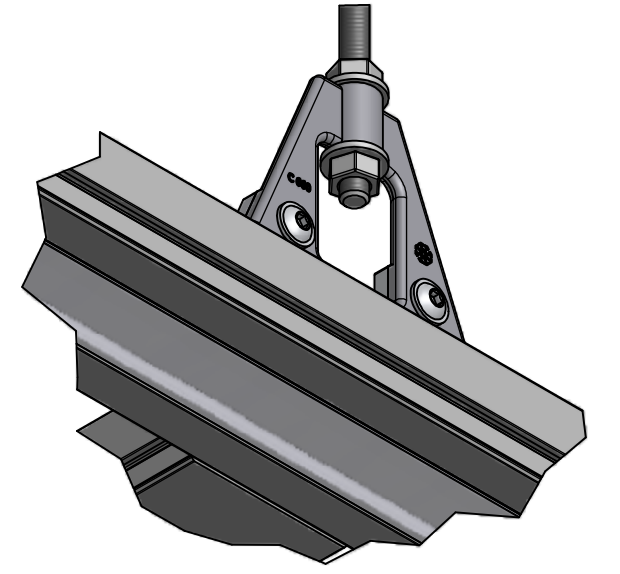
C-C 1 : 2




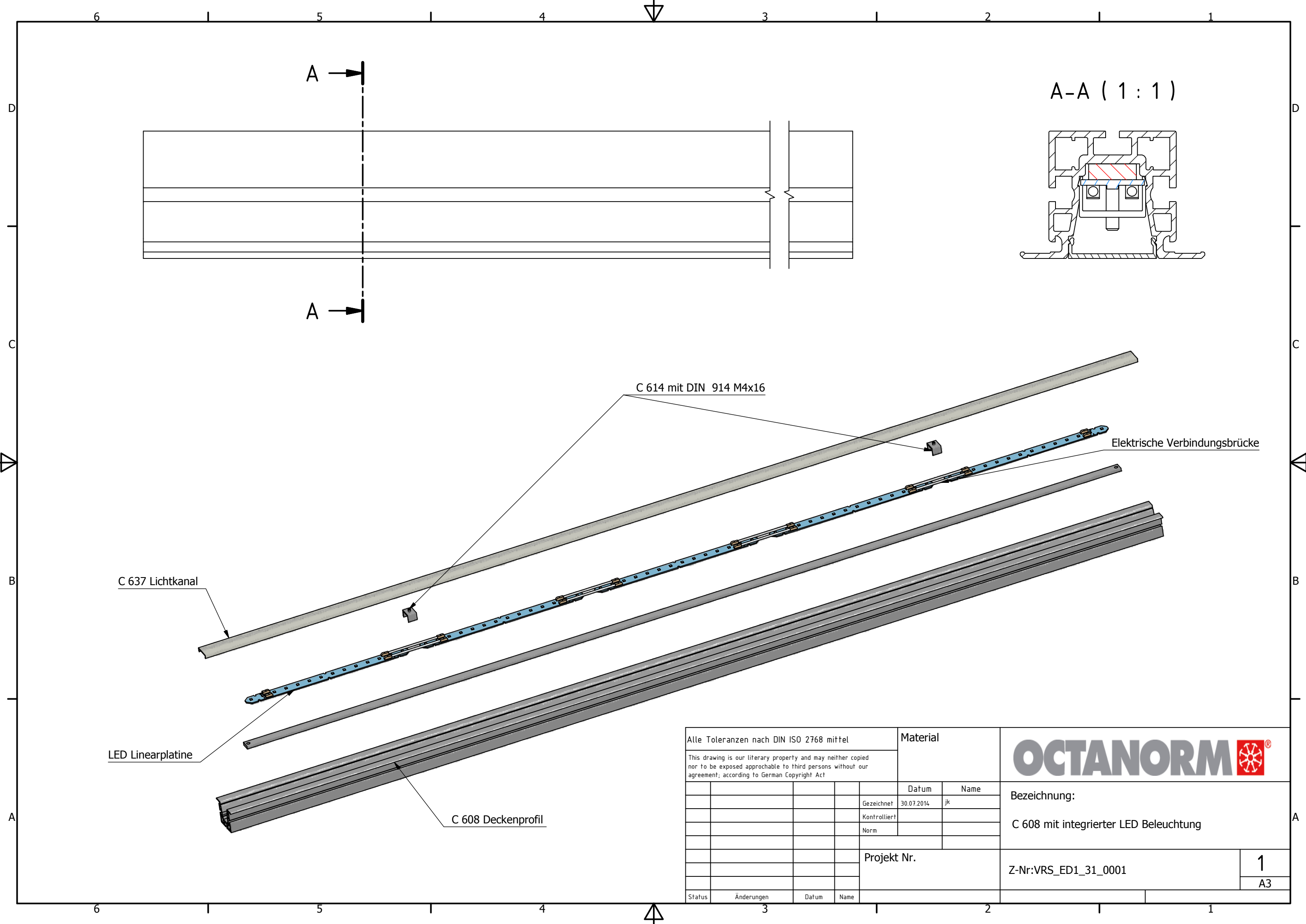
D (1 : 2)



B (1 : 2)



Alle Toleranzen nach DIN ISO 2768 mittel				Material		
This drawing is our literary property and may neither copied nor to be exposed approachable to third persons without our agreement; according to German Copyright Act				Datum	Name	
				Gezeichnet	14.07.2014	jk
				Kontrolliert		
				Norm		
				Projekt Nr.		Bezeichnung: Ceiling system DE 2 with LED lighting and steel panel C 880 Z-Nr:VRS_ED1_30_0003
Status	Änderungen	Datum	Name			1 A3



A-A (1 : 1)

C 614 mit DIN 914 M4x16

Elektrische Verbindungsbrücke

C 637 Lichtkanal

LED Linearplatine

C 608 Deckenprofil

Alle Toleranzen nach DIN ISO 2768 mittel
 This drawing is our literary property and may neither copied nor to be exposed approachable to third persons without our agreement; according to German Copyright Act

Material

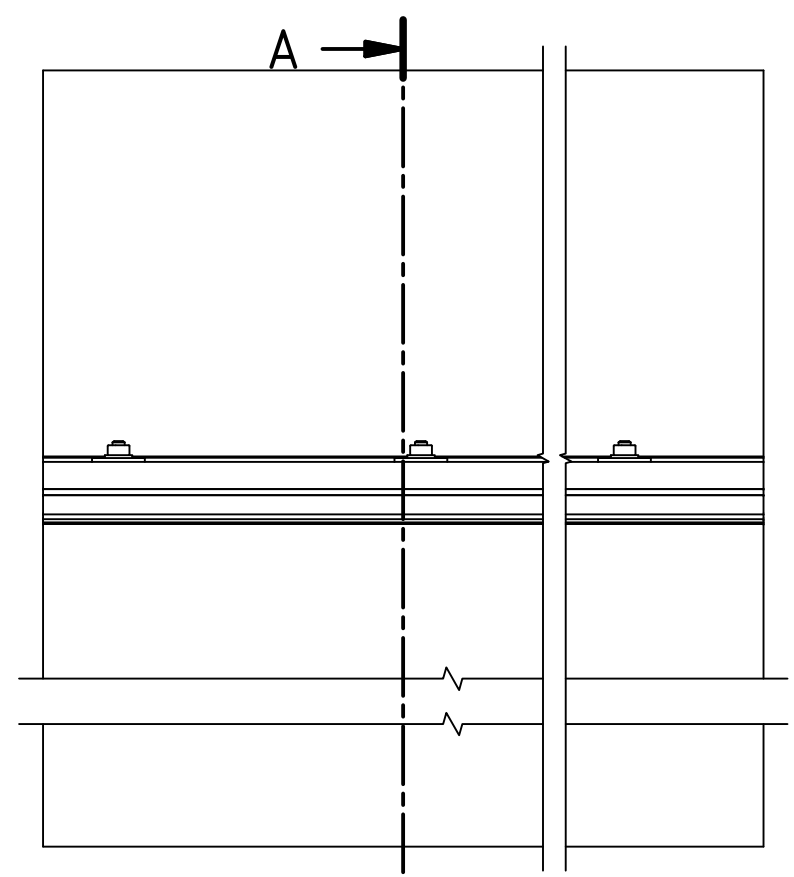


Status	Änderungen	Datum	Name	Datum	Name

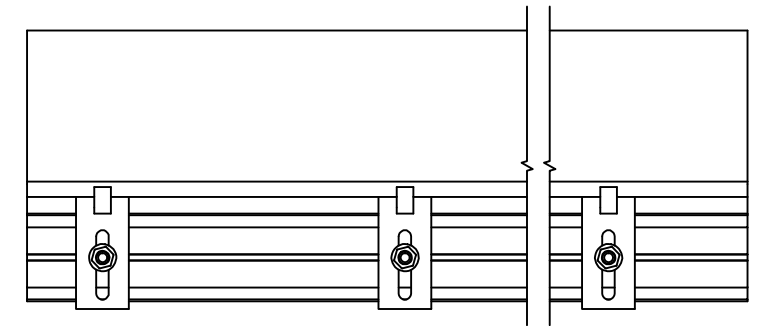
Bezeichnung:
 C 608 mit integrierter LED Beleuchtung

Z-Nr:VRS_ED1_31_0001

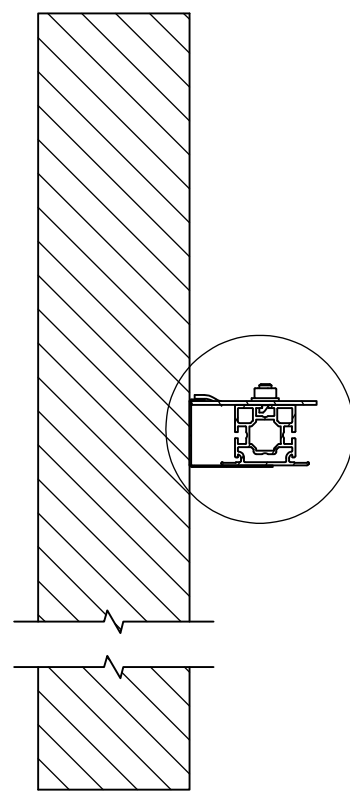
1
 A3



A →



A-A



B

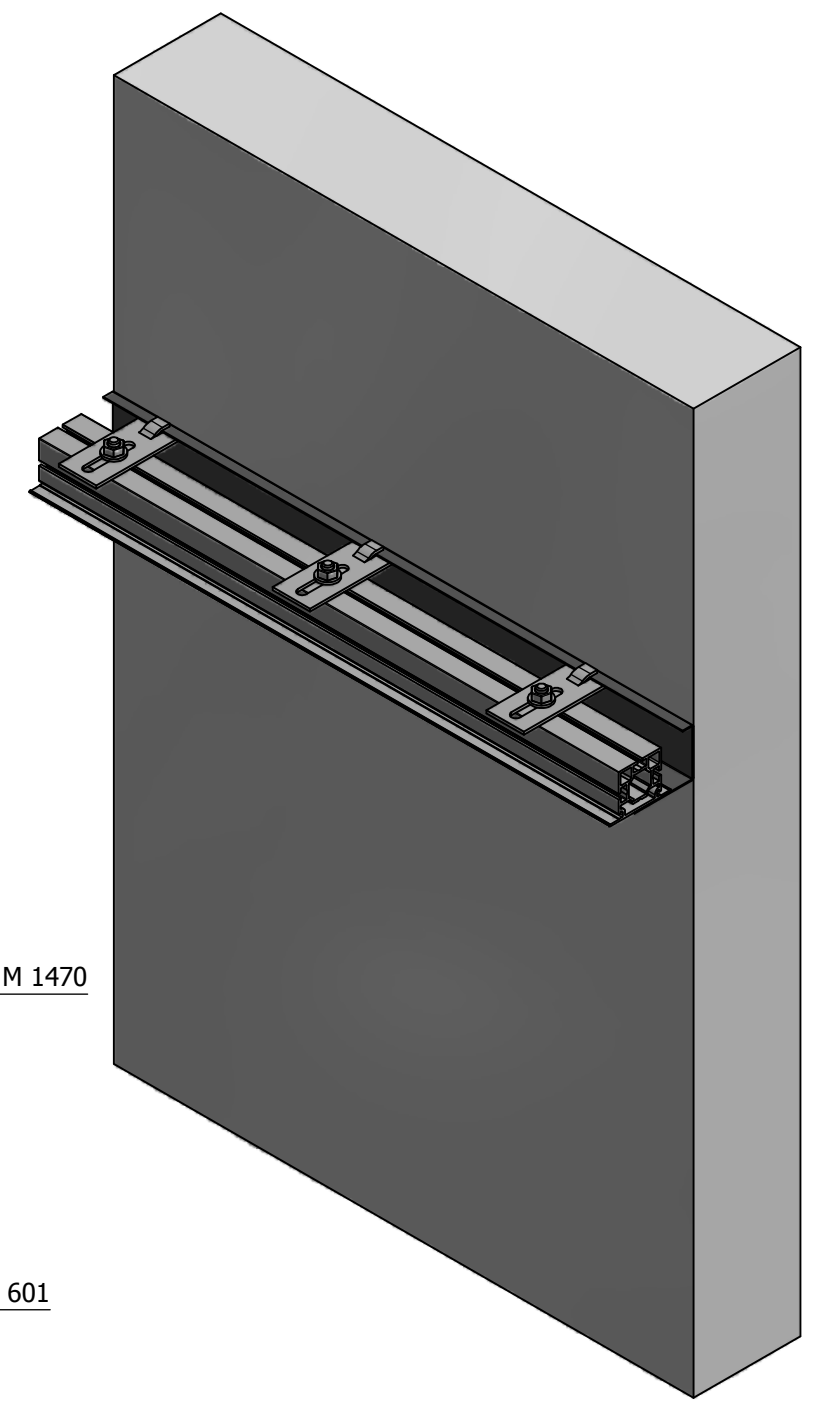
B (1 : 1)

Deckenhaken C 675

Hammerkopf-Set M 1470

Profil C 601

Deckenprofil C 670



Alle Toleranzen nach DIN ISO 2768 mittel				Material	
This drawing is our literary property and may neither copied nor to be exposed approachable to third persons without our agreement; according to German Copyright Act					
				Datum	Name
				Gezeichnet 04.07.2014	jk
				Kontrolliert	
				Norm	
				Projekt Nr.	
Status	Änderungen	Datum	Name		



Bezeichnung:
Deckenhalter C 670

Z-Nr:VRS_ED1_10_0004

1
A3