

# TECHNICAL INFORMATION

## OCTANORM CLEANROOM SYSTEMS

### PHARMACEUTICAL AND MEDICAL ENGINEERING

#### Ceiling systems light

Technical data sheet

Clip-in panel ceiling PD2

THE  
WORLD  
OF  
SYSTEMS

**OCTANORM** 

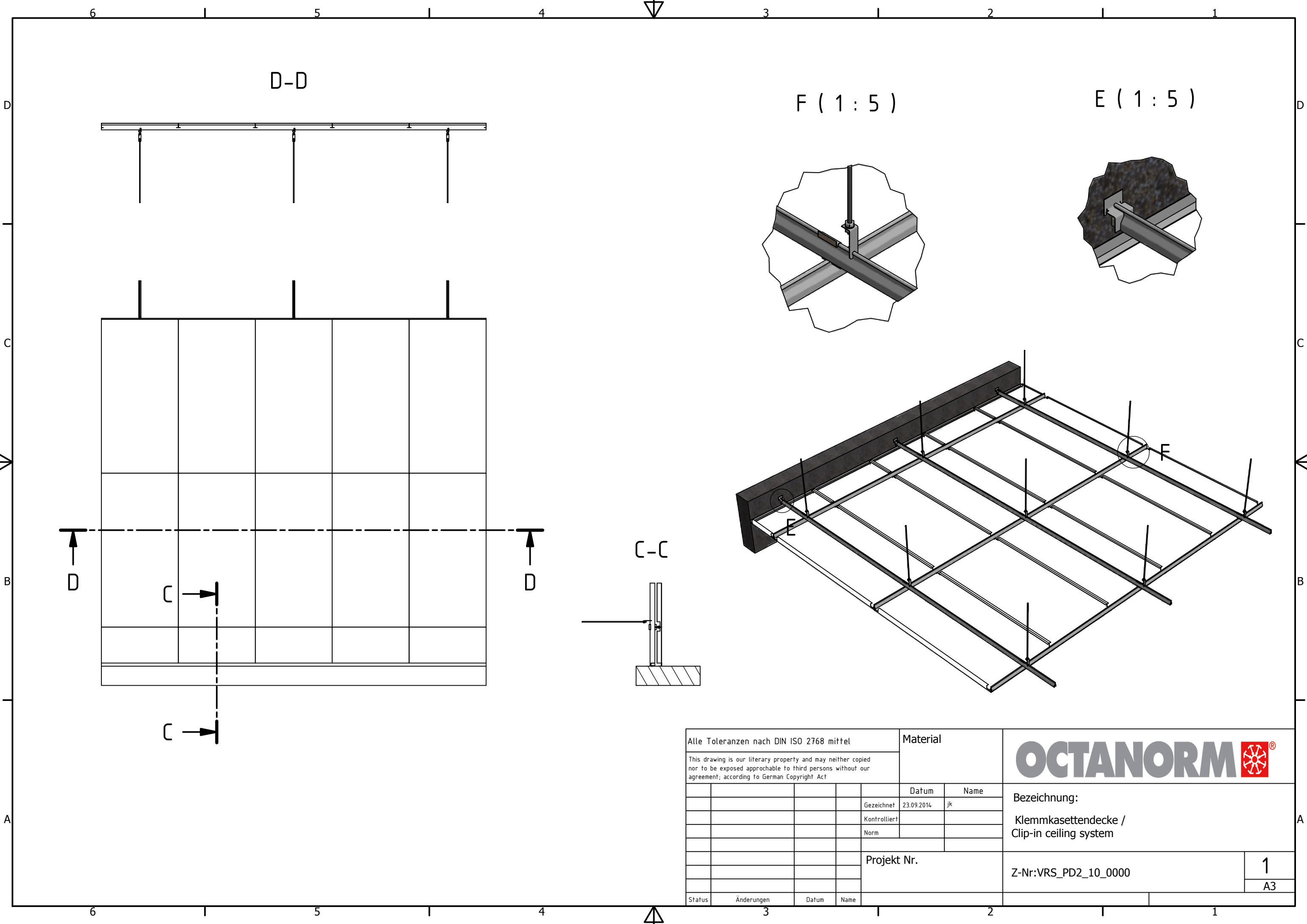


# TECHNICAL DATA SHEET


## CEILING SYSTEM PD 2

Ceiling system with suspended steel sheet panels  
Clip-in panel ceiling

Panels	Steel sheet, galvanized
Standard color	RAL 9010
Surface of beam / extrusion	Steel sheet galvanized
Standard grid	max. 1200 × 1800 mm
Walkable	No



Alle Toleranzen nach DIN ISO 2768 mittel		Material	
This drawing is our literary property and may neither copied nor to be exposed approachable to third persons without our agreement; according to German Copyright Act			
	Datum	Name	
	Gezeichnet 23.09.2014	jk	
	Kontrolliert		
	Norm		
Projekt Nr.			
Status	Änderungen	Datum	Name

**OCTANORM** 

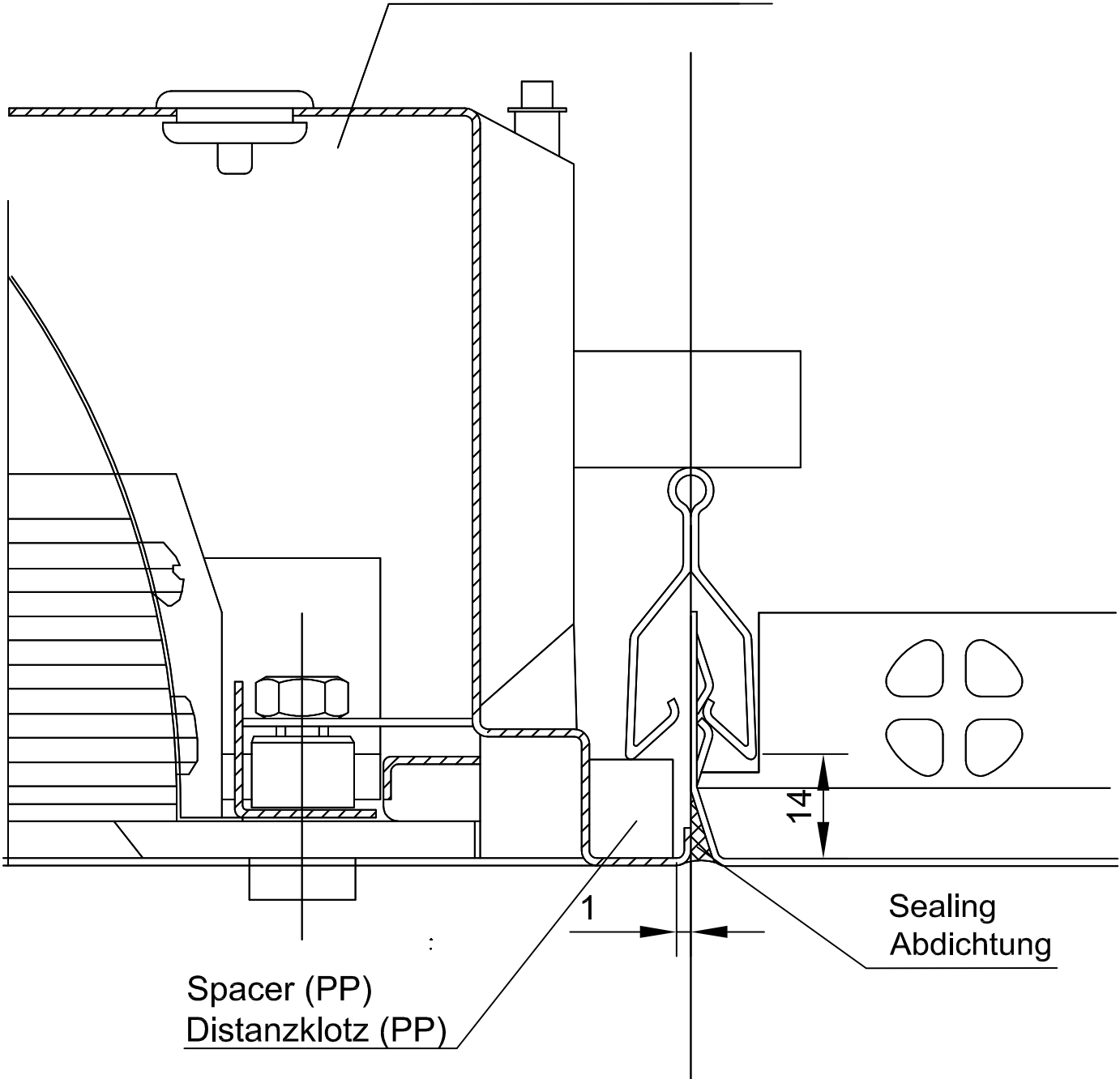
Bezeichnung:  
Klemmkassetendecke /  
Clip-in ceiling system

Z-Nr: VRS\_PD2\_10\_0000

1  
A3



Lighting  
 Leuchte:  
 baueitige Bereitstellung /  
 provided on site



Spacer (PP)  
 Distanzklotz (PP)

Sealing  
 Abdichtung

Alle Toleranzen nach DIN ISO 2768 mittel

Material

This drawing is our literary property and may neither copied nor to be exposed approachable to third persons without our agreement; according to German Copyright Act



				Datum	Name
				Gezeichnet 25.07.2014	jk
				Kontrolliert	
				Norm	
				Projekt Nr.	
				PRO_XXX	
Status	Änderungen	Datum	Name		

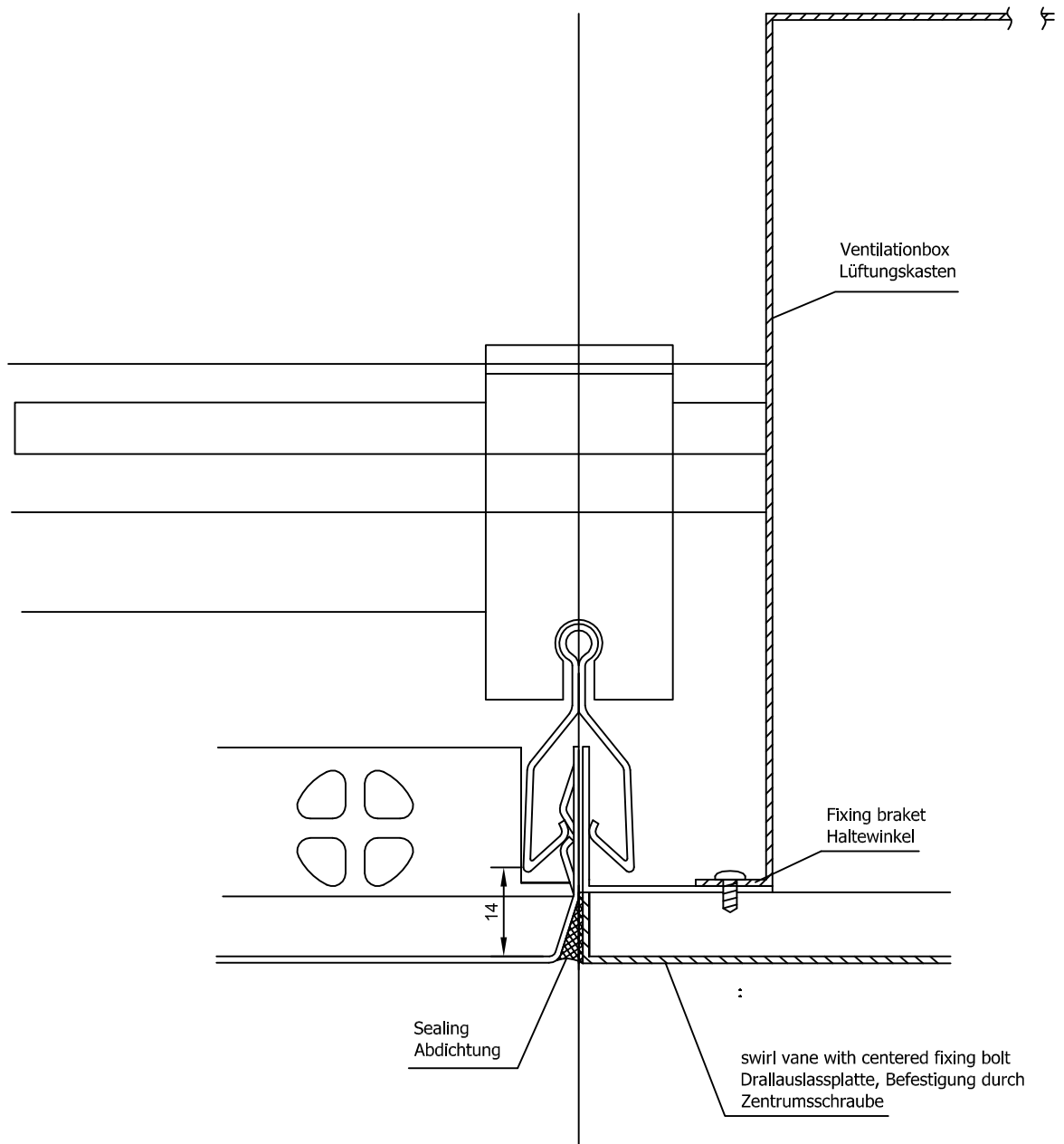
Description / Bezeichnung:


D 011 Clip-In ceiling with lighting /  
 D 011 Klemmkassetendecke mit Leuchte

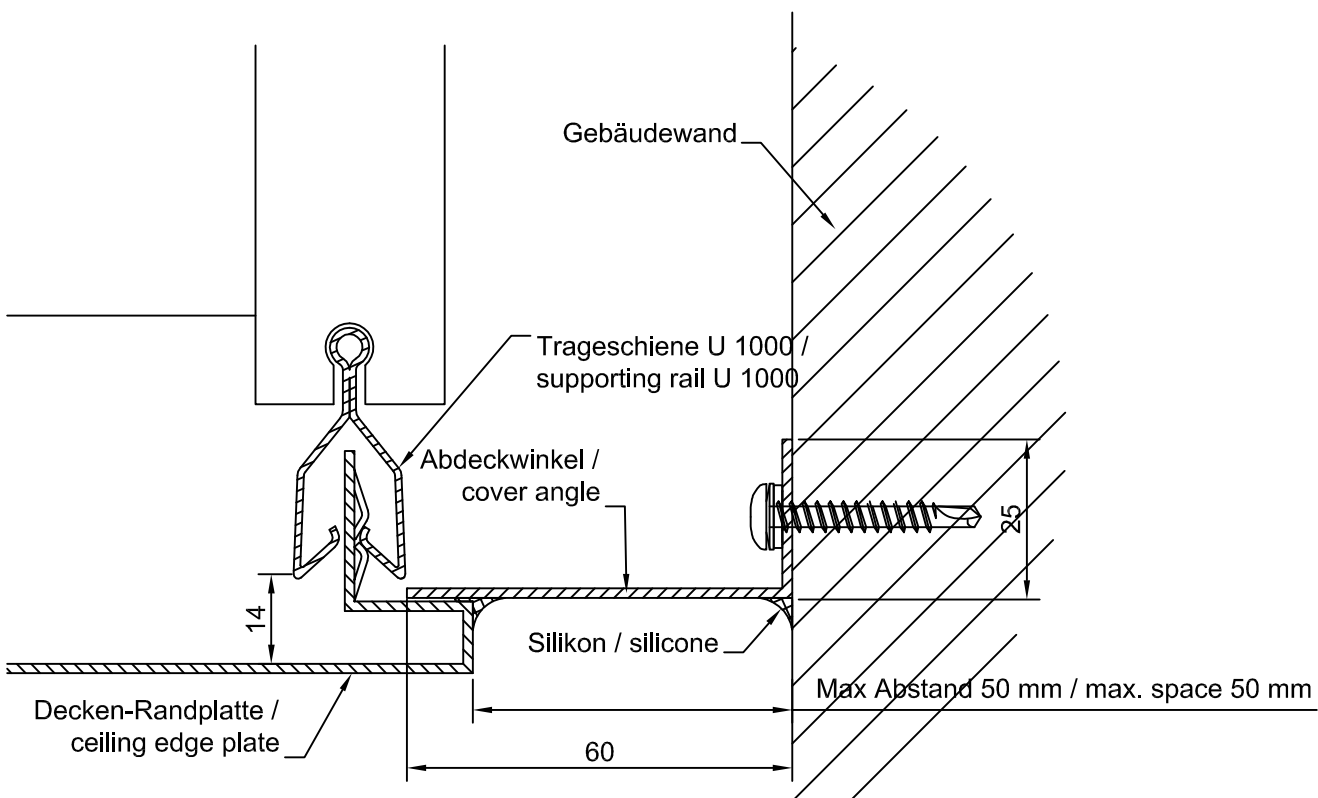
Z-Nr: VRS\_PD2\_11\_0001


1  
 A4

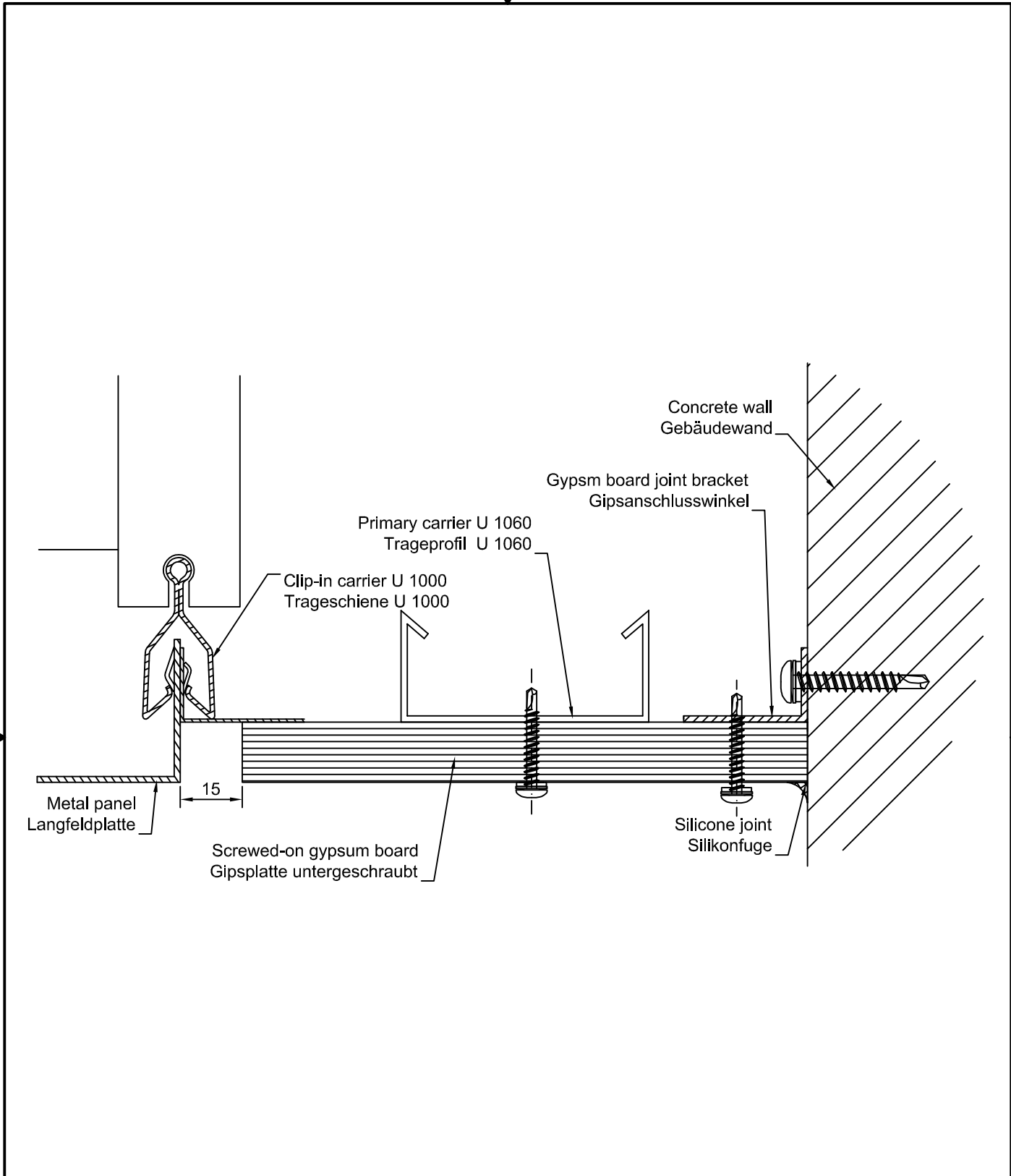





Alle Toleranzen nach DIN ISO 2768 mittel				Material		
This drawing is our literary property and may neither copied nor to be exposed approachable to third persons without our agreement; according to German Copyright Act						
				Datum	Name	Description / Bezeichnung: D 011 A Clip-In ceiling with Swirl vane D 011 A Klemmkassetendecke mit Drallauslassplatte
				Gezeichnet	25.07.2014 jk	
				Kontrolliert		
				Norm		
				Projekt Nr.		Z-Nr: VRS_PD2_11_0002
				PRO_XXX		
Status	Änderungen	Datum	Name			1 A4

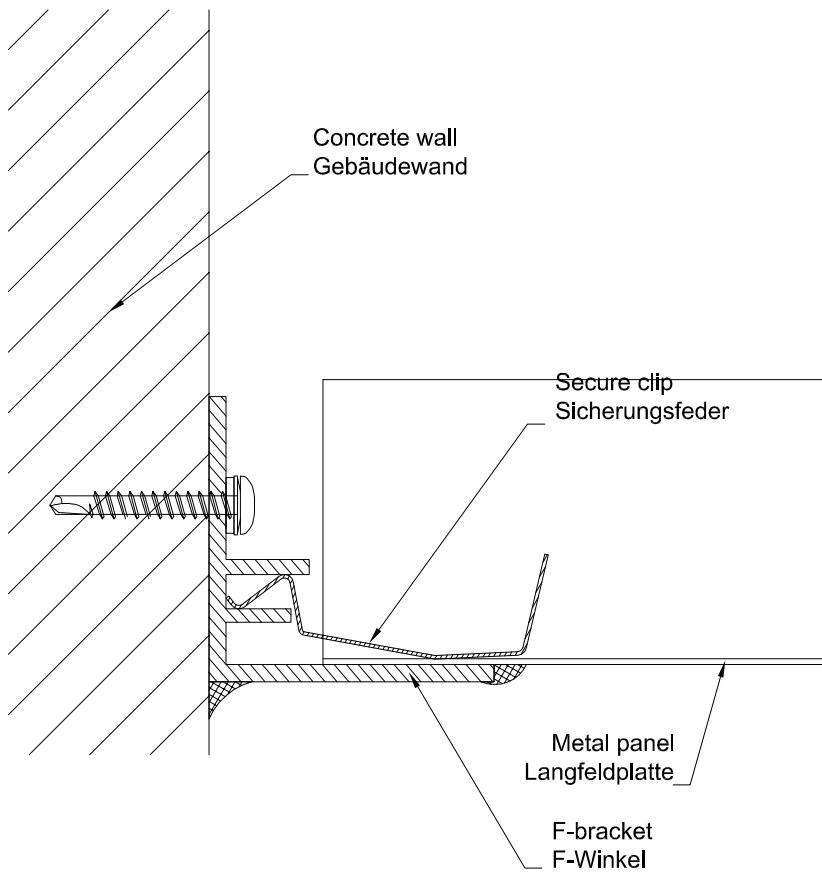



Alle Toleranzen nach DIN ISO 2768 mittel				Material			
This drawing is our literary property and may neither copied nor to be exposed approachable to third persons without our agreement; according to German Copyright Act							
				Datum	Name	Description / Bezeichnung: Typ I: Deckenanschluss / Ceiling connection	
				Gezeichnet	11.08.2014		jk
				Kontrolliert			
				Norm			
				Projekt Nr.		Z-Nr: VRS_PD2_11_0003	
							1 A4
Status	Änderungen	Datum	Name				



Alle Toleranzen nach DIN ISO 2768 mittel		Material			
This drawing is our literary property and may neither copied nor to be exposed approachable to third persons without our agreement; according to German Copyright Act					
		Datum	Name	Description / Bezeichnung: Typ II: Wandanschluss Ceiling connection	
		Gezeichnet	11.08.2014 jk		
		Kontrolliert			
		Norm			
		Projekt Nr.		Z-Nr: VRS_PD2_11_0004	
		PRO_XXX			
Status	Änderungen	Datum	Name	1 A4	





Alle Toleranzen nach DIN ISO 2768 mittel				Material		
This drawing is our literary property and may neither copied nor to be exposed approachable to third persons without our agreement; according to German Copyright Act						
				Datum	Name	Description / Bezeichnung: Typ III: Wandanschluss Ceiling connection
				Gezeichnet 11.08.2014	jk	
				Kontrolliert		
				Norm		
				Projekt Nr. PRO_XXX		Z-Nr: VRS_PD2_11_0005
						1
						A4
Status	Änderungen	Datum	Name			

